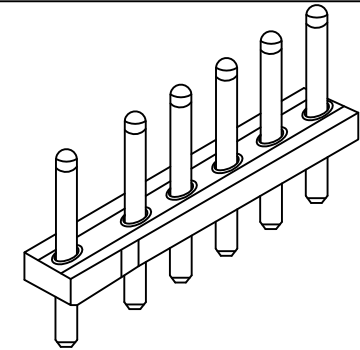


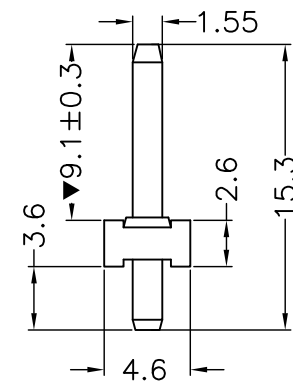
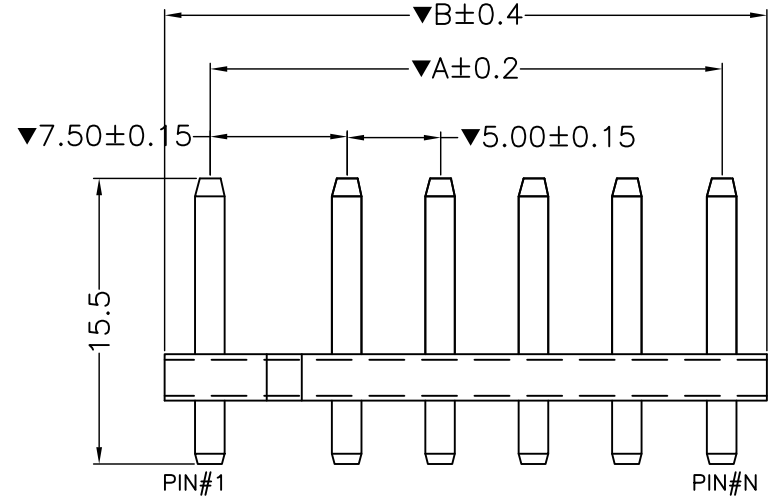
ENG.NO. W0082-1406066

Rev 版次	Revision note 變更內容	Date 日期	DR 制圖
A0	Original Release	Mar.25,05'	Fanny_qu
A1	Size shrink for cost down	Jul.7,06'	Fanny_qu

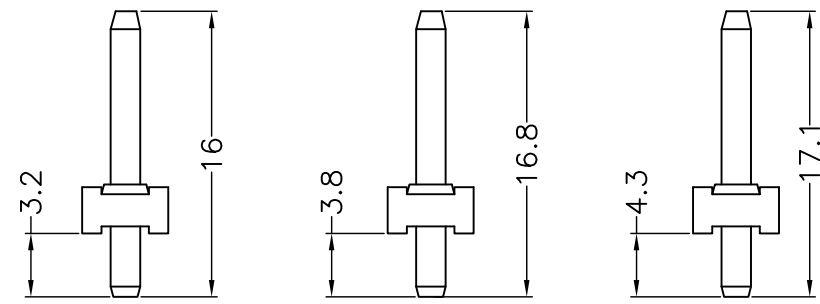


ELECTRICAL SPECIFICATION:

1. Rated Voltage And Current: Ac 250V Max, 7A Per Contact.
2. Insulation Resistance: 1000 MΩ. Min.
3. Contact Resistance: 10mΩ Max.
4. Dielectric Withstanding Voltage: 1500V/AC.
5. Operating Temperature: -25°C~+85°C.
6. "▼" Is Important Control Size.



TYPE 4



TYPE 1

TYPE 2

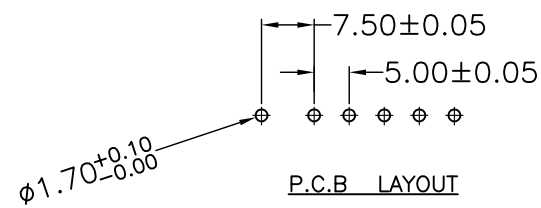
TYPE 3

Ordering information:

A7500WV-XP-X
 NO. OF CONTACTS 01 - 06 Contacts
 STYLE:
 1:type1
 2:type2
 3:type3
 4:type4

PART NO.	A	B
A7500WV-01P-X	7.50	13
A7500WV-02P-X	12.50	18
A7500WV-03P-X	17.50	23
A7500WV-04P-X	22.50	28
A7500WV-05P-X	27.50	33

ITEM	DESC	Q'TY
②	TERMINAL:BRASS TIN/NICKEL PLATING	n
①	HOUSING:PA66 UL94V-0	1



P.C.B LAYOUT

RoHS COMPLIANT

威納電子 WINPOINT ELECTRONIC CORP. www.winpoint.com.tw	Title 名稱 MALE HEADER CONNECTOR 180° WAFER						
	DR: 制圖 Fanny_qu	CHK'D 審核 Kenny_shi	APP'D 核准 Chen	REV. A1	UNIT mm	SHEET 1/1	
PART NUMBER 威納料號 Refer to ordering info	CUSTOMER P/N 客戶料號 -	DATE 日期 Mar.25,05'	GENERAL TOLERANCE 一般公差 MM X.X = ±0.38 X.XX = ±0.25 X.XXX = ±0.05 UNLESS OTHERWISE SPECIFIED				
DWG NO. 圖號 WP009-1406125-B	FILENAME 路徑 WP/009	SCALE 比例 N/A	ANGULAR ±3°				

A4

CUSTOMER DRAWING