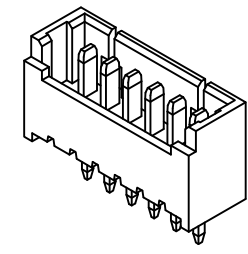
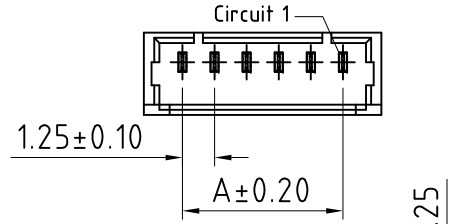


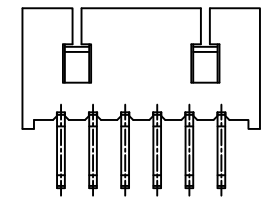
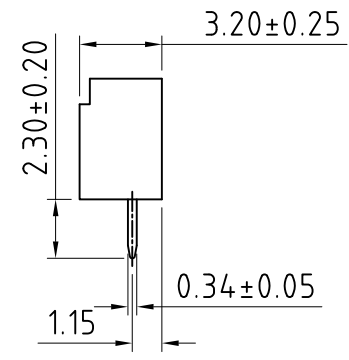
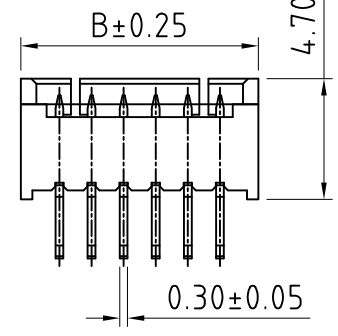
ENG.NO. XXXXXX

Rev 版次	Revision note 變更內容	Date 日期	DR 制圖
A0	Original Release	MAY.15,06'	ZX
A1	Update SPEC	MAY.17,15'	Fanny_qu



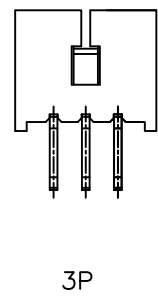
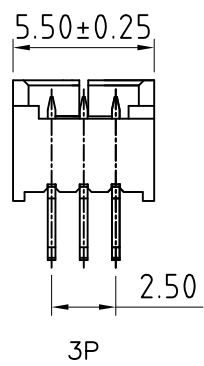
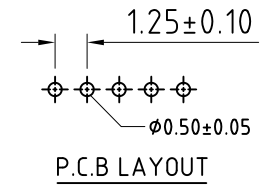
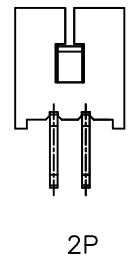
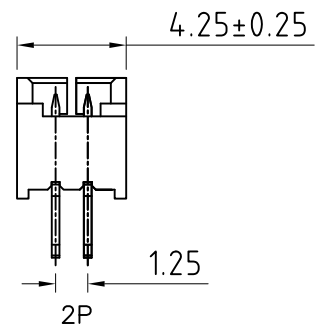
SPECIFICATIONS

Current Rating: 1A AC,DC
 Voltage Rating:125V AC,DC
 Temperature Range: -25°C TO +105°C
 Contact Resistance: 20 Mohm Max.
 Insulation Resistance: 500 Mohm Min.
 Withstanding Voltage: 500V AC/minute
 Pin Material: Phosphor Bronze/Tin-plated
 Material: Nylon 6T,UL94V-0
 Color: Natural(Beige)



Ordering Information & Dimensions

PART NO.	Dimensions	
	A	B
A1250WV-02P	1.25	4.25
A1250WV-03P	2.50	5.50
A1250WV-04P	3.75	6.75
A1250WV-05P	5.00	8.00
A1250WV-06P	6.25	9.25
A1250WV-07P	7.50	10.50
A1250WV-08P	8.75	11.75
A1250WV-09P	10.00	13.00
A1250WV-10P	11.25	14.25
A1250WV-11P	12.50	15.50
A1250WV-12P	13.75	16.75
A1250WV-13P	15.00	18.00
A1250WV-14P	16.25	19.25
A1250WV-15P	17.50	20.50
A1250WV-16P	18.75	21.75
A1250WV-17P	20.00	23.00
A1250WV-18P	21.25	24.25



威納電子 WINPOINT ELECTRONIC CORP. www.winpoint.com.tw		Title 名稱 1.25mm PITCH 180° WAFER	
DR制圖 ZX	CHK'D 審核 WQ	APP'D 核准 P.LIU	REV. 日期 A1
PART NUMBER 威納料號 A1250WV-XXP	CUSTOMER P/N 客戶料號	DATE 日期 MAY.17,15'	GENERAL TOLERANCE 一般公差
DWG NO. 圖號 WP009-1008639-B	FILENAME 路徑 WP/009	SCALE 比例 N/A	MM X.X = ±0.38 X.XX = ±0.25 X.XXX = ±0.05 ANGULAR ±3° UNLESS OTHERWISE SPECIFIED