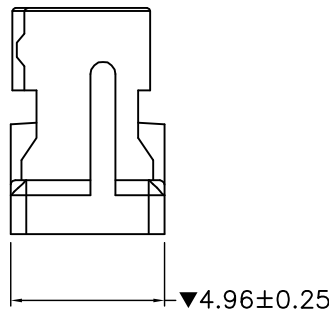
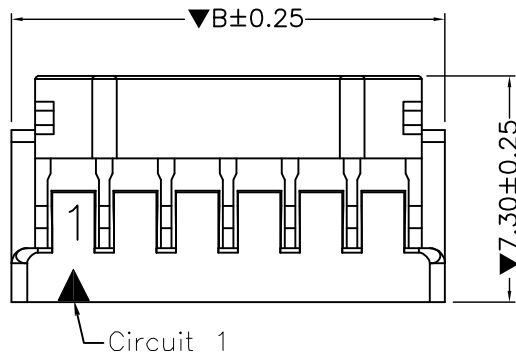
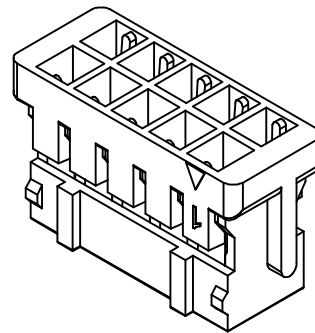
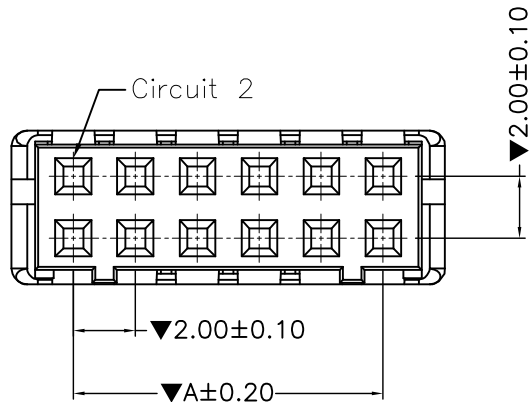


ENG.NO. W0007-1311979

Rev 版次	Revision note 變更內容	Date 日期	DR 制圖
A0	Original Release	Feb.13,07	TANGzc



Ordering Information & Dimensions

PART NO.	Dimensions	
	A	B
A2211H-2X02P	2.00	6.00
A2211H-2X03P	4.00	8.00
A2211H-2X04P	6.00	10.00
A2211H-2X05P	8.00	12.00
A2211H-2X06P	10.00	14.00
A2211H-2X07P	12.00	16.00
A2211H-2X08P	14.00	18.00
A2211H-2X09P	16.00	20.00
A2211H-2X10P	18.00	22.00
A2211H-2X11P	20.00	24.00
A2211H-2X12P	22.00	26.00
A2211H-2X13P	24.00	28.00
A2211H-2X14P	26.00	30.00
A2211H-2X15P	28.00	32.00
A2211H-2X16P	30.00	34.00
A2211H-2X17P	32.00	36.00
A2211H-2X18P	34.00	38.00
A2211H-2X19P	36.00	40.00
A2211H-2X20P	38.00	42.00

ELECTRICAL SPECIFICATION:

1. Rated Voltage : 250v Ac/Dc
2A Per Contact.
2. Insulation Resistance: 1000 MΩ. Min.
3. Contact Resistance: 30mΩ Max.
4. Dielectric Withstanding Voltage: 800V/AC.
5. Operating Temperature: -25°C~+85°C.
6. Suitable WP/PN A2211 Series Terminal
7. Mates With WP/PN A2211 Series Wafer
8. "▼" Is Important Control Size.

RoHS COMPLIANT		① HOUSING:NYLON 66 UL94V-0 COLOR:BLACK		1		
ITEM		DESC				Q'TY
威納電子 WINPOINT ELECTRONIC CORP. www.winpoint.com.tw		Title 名稱 PH2.0MM HOUSING				
DR:制圖 TANGzc		CHK'D 審核 Kenny_shi	APP'D 核准 Chen	REV. AO	UNIT mm	SHEET 1/1
PART NUMBER 威納料號 A2211H Series		CUSTOMER P/N 客戶料號 -		DATE 日期 Feb.13,07		GENERAL TOLERANCE 一般公差 MM X.X = ±0.38 X.XX = ±0.25 X.XXX = ±0.05 UNLESS OTHERWISE SPECIFIED
DWG NO. 圖號 WP009-1312913-B		FILENAME 路徑 WP/009	SCALE 比例 N/A	ANGULAR ±3°		