

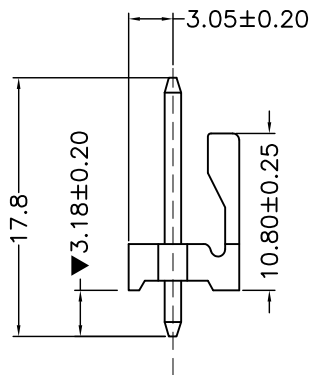
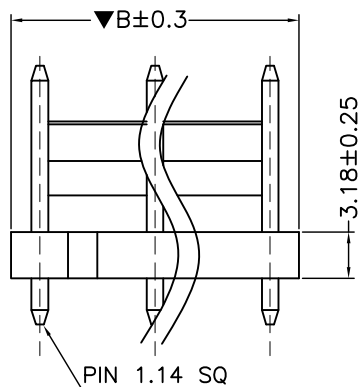
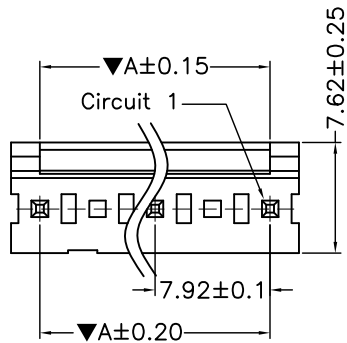
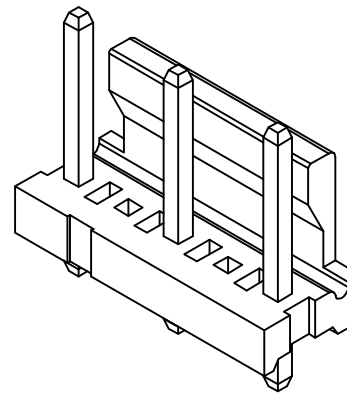
ENG.NO. W0007-1310972

Rev 版次	Revision note 變更內容	Date 日期	DR 制圖
A0	Original Release	Dec.05,05'	TANGzc

PRODUCT INFORMATION:

A7923WV-XXP

Circuit No
02to10 Contacts



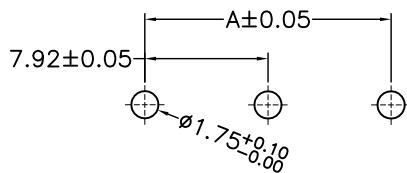
ELECTRICAL SPECIFICATION:

1. Rated Voltage And Current: Ac,Dc 600v Max, 7A Per Contact.
2. Insulation Resistance: 5000 MΩ. Min.
3. Contact Resistance: 10mΩ Max.
4. Dielectric Withstanding Voltage: 2200V/AC 1min.
5. Operating Temperature: -40°C~+85°C.
- 6."▼" Is Important Control Size.

MATERIAL

1. Insulator: Nylon 66 UL94V-0
2. Color: Natural(white)
3. Contact pin: Brass Tin Plated

Circuit No.	Dimensions	
	A	B
02P	7.92	11.88
03P	15.84	19.80
04P	23.76	27.72
05P	31.68	35.64
06P	39.60	43.56
07P	47.52	51.48
08P	55.44	59.40
09P	63.36	67.32
10P	71.28	75.24



P.C.B LAYOUT

RoHS COMPLIANT

威納電子 WINPOINT ELECTRONIC CORP. www.winpoint.com.tw	Title 名稱 7.92mm PITCH 180° WAFER					
	DR: 制圖 TANGzc	CHK'D 審核 Kenny_shi	APP'D 核准 Chen	REV. AO	UNIT mm	SHEET 1/1
PART NUMBER 威納料號 A7923WV-XXP		CUSTOMER P/N 客戶料號 -----		DATE 日期 Dec.05,05'		
DWG NO. 圖號 WP009-1310889-B		FILENAME 路徑 WP/009	SCALE 比例 N/A	GENERAL TOLERANCE 一般公差 MM X.X = ±0.38 X.XX = ±0.25 X.XXX = ±0.05 UNLESS OTHERWISE SPECIFIED ANGULAR ±3°		

A4

CUSTOMER DRAWING