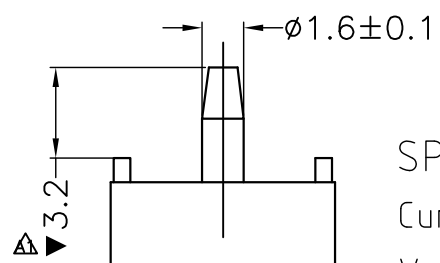
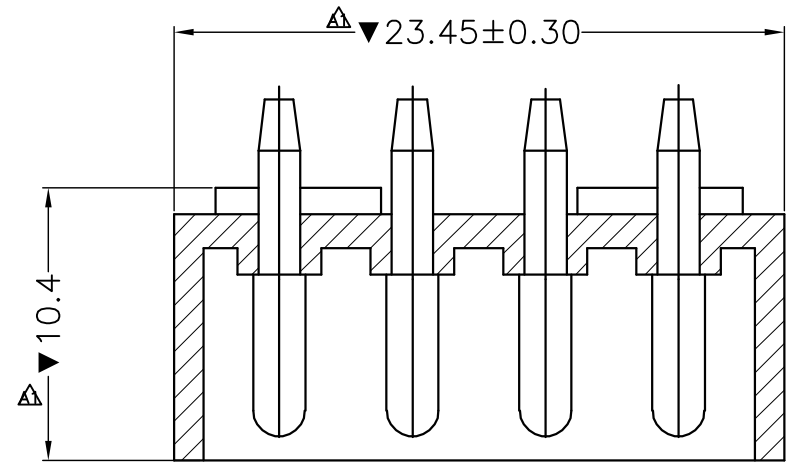
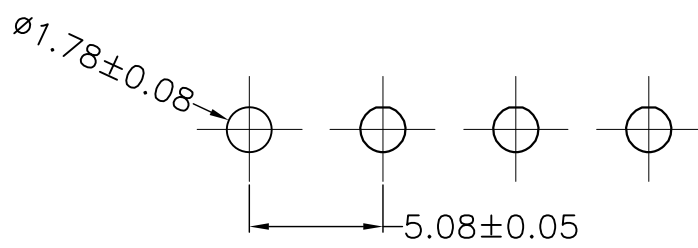
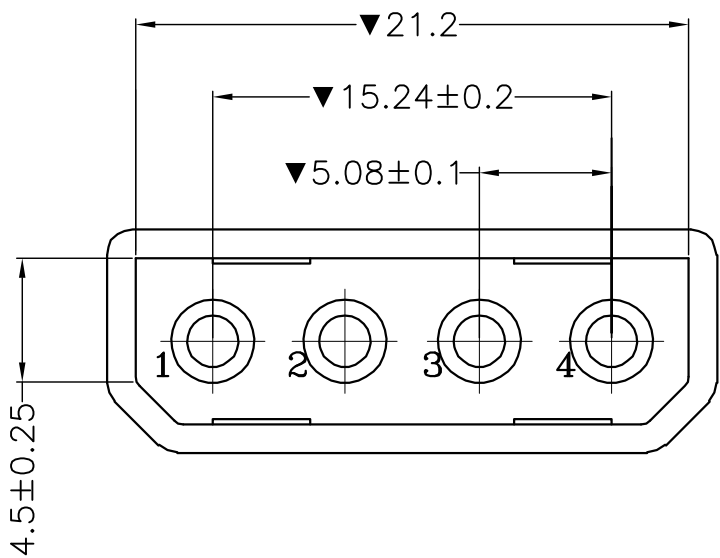
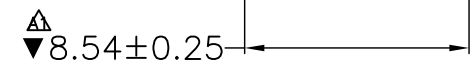


ENG.NO. W0135-1210423

Rev 版次	Revision note 變更內容	Date 日期	DR 制圖
A0	Original Release	Jun.13,03'	Chris Lee
A1	Change the size for new mold	Oct.20,11'	Kenny_shi



**SPECIFICATIONS:**  
 Current rating: 7A AC DC  
 Voltage rating: 250V AC. Maximum  
 Contact resistance: 20m Ohm max.  
 Insulation resistance: 5000 Mohm min.  
 Withstanding voltage: 1500V AC/minute  
 Operating Temperature: -40°C ~ +85°C  
 "▼" Is Important control size.



P.C.B. LAYOUT

RoHS COMPLIANT

ITEM	DESC	Q'TY
②	TERMINAL:BRASS TIN PLATING	4
①	HOUSING:NYLON 66 UL94V-0 NATURAL	1

<b>威納電子</b> WINPOINT ELECTRONIC CORP. www.winpoint.com.tw		<b>Title 名稱</b> 5.08mm PITCH, VERT POWER CONNECTOR					
<b>PART NUMBER 威納料號</b> C5080WV-4PA		<b>CUSTOMER P/N 客戶料號</b> -		<b>DATE 日期</b> Oct.20,11'		<b>GENERAL TOLERANCE 一般公差</b> MM .XX = ±0.38 .XX = ±0.18 .XXX = ±0.05 INCH .XX = ±0.015 .XXX = ±0.007 .XXXX = ±0.0020 UNLESS OTHERWISE SPECIFIED	
<b>DWG NO. 圖號</b> WP009-1210633-B		<b>FILENAME 路徑</b> WP/009		<b>SCALE 比例</b> N/A		ANGULAR ±3°	

A4

CUSTOMER DRAWING