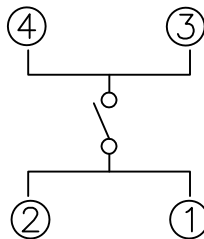
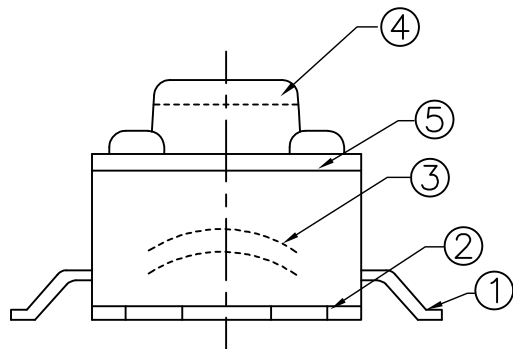


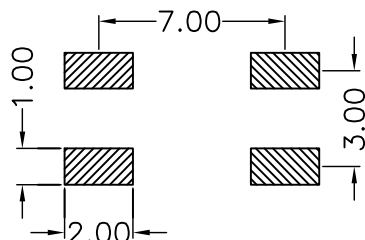
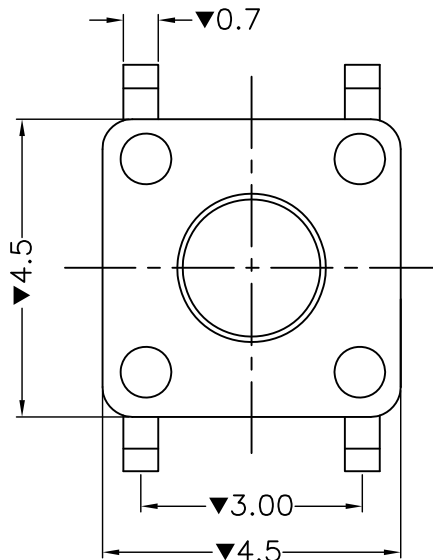
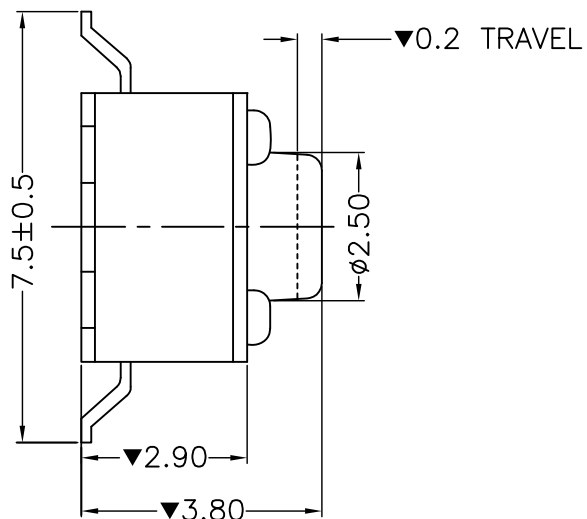
ENG.NO. W0009-1311982

Rev 版次	Revision note 變更內容	Date 日期	DR 制圖
A0	Original Release	Apr.04,13'	Fanny_qu



SPECIFICATION:

1. RATING:DC 12V 50mA
2. CONTACT RESISTANCE: 30mΩ MAX.
3. INSULATION RESISTANCE:100MΩ MIN.
4. WITHSTAND VOLTAGE:250V AC. 1 MINUTE
5. OPERATING TEMPERATURE:-40°C~60°C.
- 6."▼" IS IMPORTANT CONTROL SIZE.
7. OPERATING FORCE:180gf
8. LIFE TEST:50,000 CYCLES



RoHS COMPLIANT

ITEM	DESC	Q'TY
⑤	COVER:SPCC Ni PLATING	1
④	BUTTON:PA6T UL94V-0 BLACK	1
③	CONTACT:BRASS Ag PLATED	1
②	BASE:PA6T UL94V-0 BLACK	1
①	TERMINAL:BRASS Ag PLATING	4

威納電子 WINPOINT ELECTRONIC CORP. www.winpoint.com.tw		Title 名稱 Tact Switch	
DR: 制圖 Fanny_qu	CHK'D 審核 Kenng_shi	APP'D 核准 Chen	REV. AO
PART NUMBER 威納料號 TS-38S-4.5SQ-T	CUSTOMER P/N 客戶料號 -	DATE 日期 Apr.04,13'	UNIT SHEET mm 1/1
DWG NO. 圖號 WP009-1312919-B	FILENAME 路徑 WP/009	SCALE 比例 N/A	GENERAL TOLERANCE 一般公差 MM X.X = ±0.38 X.XX = ±0.25 X.XXX = ±0.05 UNLESS OTHERWISE SPECIFIED ANGULAR ±3°

A4

CUSTOMER DRAWING