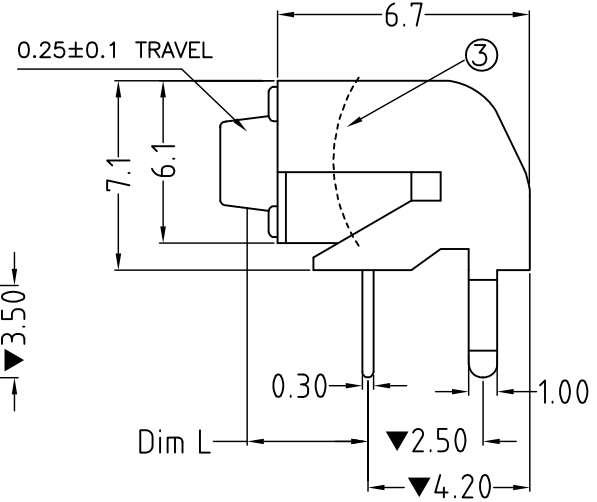
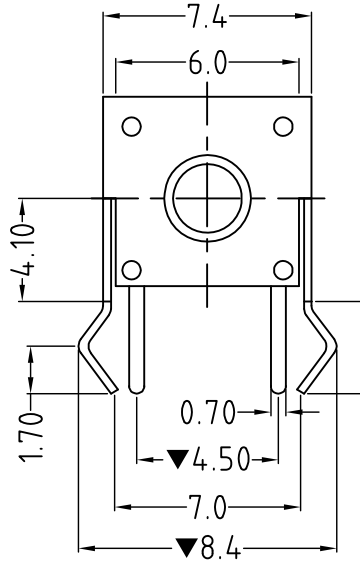
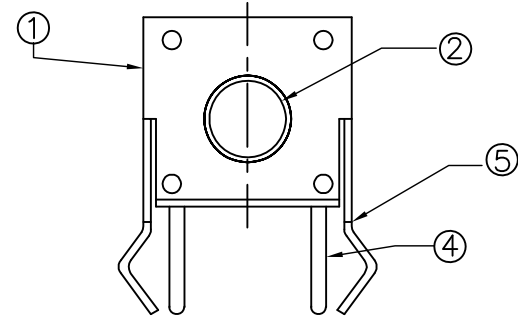
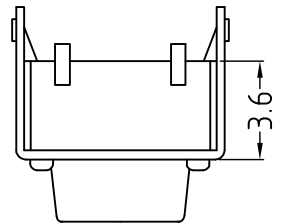


ENG.NO. W0009-1201299

Rev 版本	Revision note 變更內容	Date 日期	DR 制圖
A3	Change the button spec	Sep,15,14'	Kenny_shi



ELECTRICAL SPECIFICATION:

- VOLTAGE RATING: DC 12V.
- CURRENT RATING: 0.5AMP.
- INSULATION RESISTANCE: 100MΩ. Min.
- CONTACT RESISTANCE: 30mΩ Max.
- DIELECTRIC WITHSTANDING VOLTAGE: 250V AC/Minute.
- OPERATING TEMPERATURE: -20°C~+70°C.
- LIFE TEST: 80000 CYCLES.
- "▼" IS IMPORTANT CONTROL SIZE.

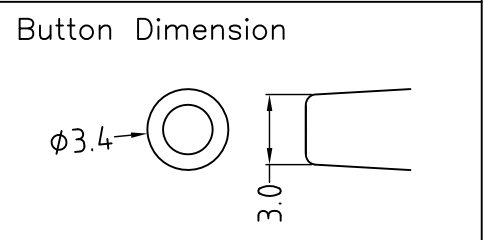
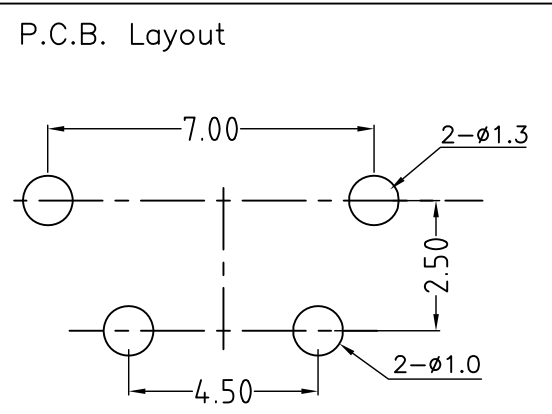
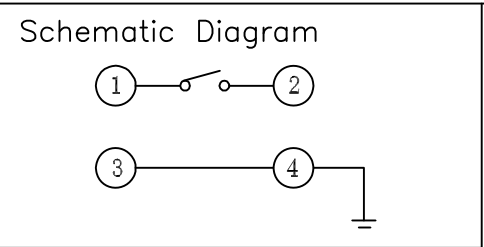
Ordering information:

TS-XX 0 XX 01 XX H

L Size
 31=3.15MM
 38=3.85MM
 58=5.80MM
 61=6.15MM
 68=6.85MM
 83=8.35MM

Button Color
 RD:Red
 BK:Black
 GY:Gray
 WT:White
 R4:Red 485C

Operating force(F)
 10=100(gf)
 13=130(gf)
 16=160(gf)
 18=180(gf)
 25=250(gf)



⑤	COVER: IRON,NI-PLATING	1
④	CONTACT FOOT: BRASS,Ag-PLATING	2
③	CONTACT PLATE: PHOSPHER BRONZE,Ag-PLATING	1
②	BUTTON: PA46 UL94V-0, COLOR: SEE PART NO	1
①	HOUSING: PA66,UL 94V-0 COLOR: BLACK	1
ITEM	DESC	Q'TY

RoHS COMPLIANT

威納電子 WINPOINT ELECTRONIC CORP. www.winpoint.com.tw		Title 名稱 TACT SWITCH				
DR: 制圖 Fanny_qu	CHK'D 審核 Kenny_shi	APP'D 核准 Chen	REV. A3	UNIT mm	SHEET 1/1	
PART NUMBER 威納料號 Refer to ordering info	CUSTOMER P/N 客戶料號 -	DATE 日期 Jun,12,11'	GENERAL TOLERANCE 一般公差			
DWG NO. 圖號 WP009-1409180-B	FILENAME 路徑 WP/002	SCALE 比例 N/A	MM X.X = ±0.38 X.XX = ±0.25 X.XXX = ±0.05 ANGULAR ±3° UNLESS OTHERWISE SPECIFIED			

A4

CUSTOMER DRAWING