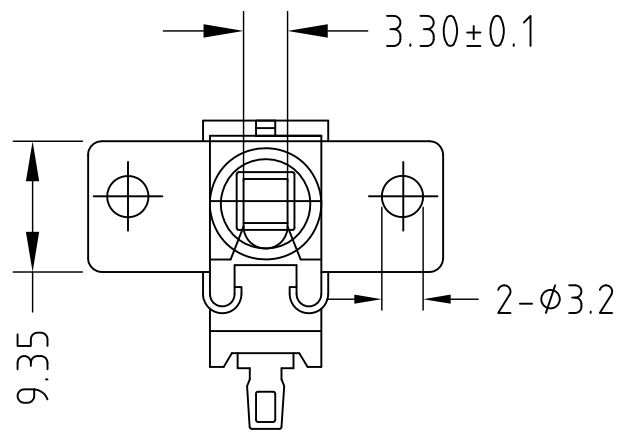
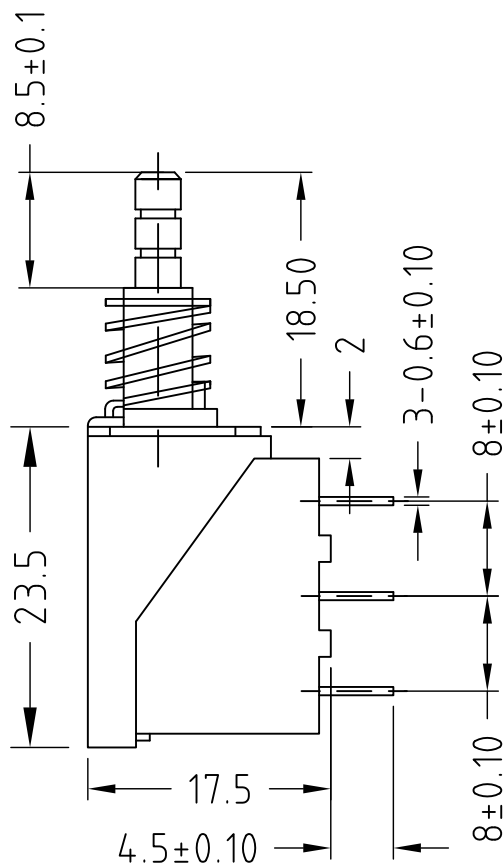
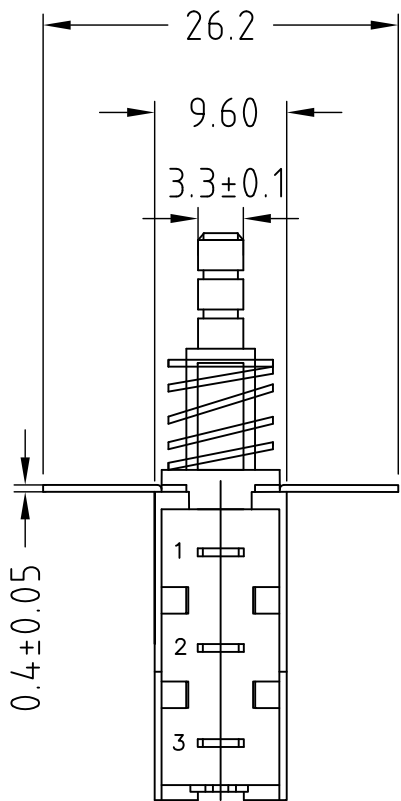


ENG.NO.
W0048-1012152

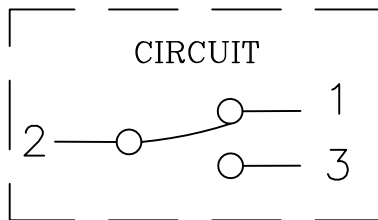
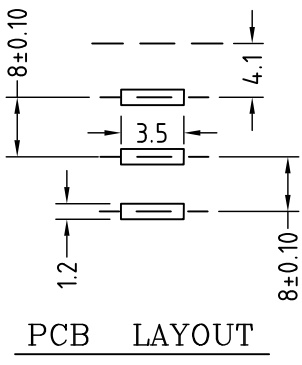
| | | | |
|--------|--------------------|------------|----------|
| Rev 版次 | Revision note 變更內容 | Date 日期 | DR 制圖 |
| A0 | Original Release | NOV.30,10' | Lijunhua |



SPECIFICATION:

1. RATED CURRENT: 8A.
2. RATED VOLTAGE: 250V.
3. INSULATION RESISTANCE: $\geq 100 \text{ M}\Omega$.
4. CONTACT RESISTANCE: $\leq 50 \text{ m}\Omega$.
5. DIELECTRIC STRENGTH: $\geq 1500\text{V}/5\text{s}$
6. OPERATING TEMPERATURE: $-40^\circ\text{C} \sim +70^\circ\text{C}$.
7. ENDURANCE: ≥ 3000 .
8. VENDOR: HONGDA P/N: KDC-A10-W14 OR EQUIVALENT

RoHS COMPLIANT



| | | | | | |
|--|-------------------------|-----------------------|--|------------|----------------------|
| 威納電子 WINPOINT ELECTRONIC CORP. www.winpoint.com.tw | Title 名稱 PUSH SWITCH | | | | |
| | DR: 制圖 Lijunhua | CHK'D 審核 Kenny_shi | APP'D 核准 Wang | REV. AO | UNIT mm [INCH] |
| PART NUMBER 威納料號 PS-35-KX-10-A | CUSTOMER P/N 客戶料號 - | DATE 日期 NOV.30,10' | GENERAL TOLERANCE 一般公差 | | |
| DWG NO. 圖號 WP001-1101833-B | FILENAME 路徑 WP/001 | SCALE 比例 N/A | ANGULAR $\pm 3^\circ$ | | |
| | | | MM .XX = ± 0.38 X.XX = ± 0.18 X.XXX = ± 0.05 .XXX = ± 0.015 .XXXX = ± 0.007 .XXXXX = ± 0.0020 UNLESS OTHERWISE SPECIFIED | | |

A4

CUSTOMER DRAWING