

Rev 版次	Revision note 變更內容	Date 日期	Signature 簽名	Checked 核准
A/0	Original release	Oct-261-00	Chao Qin	
A/1	增加PIN數,改變注解.	Feb-18-04	YCX	K.K. SU

ORDER INFORMATION:

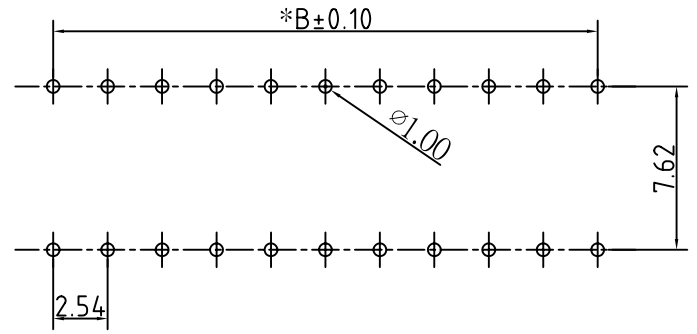
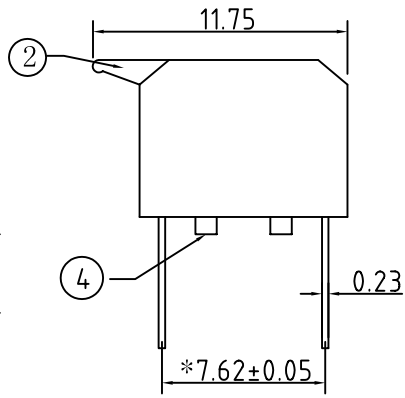
DP-XX-G-01-BL

DP: Piano type dip switch  
(Side actuator dip switch)  
Number fo position (01-12 Pin)

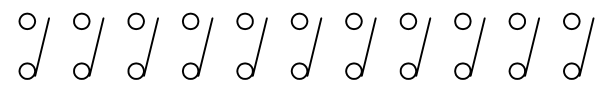
BL: Blue color case  
RD: Red color case  
BK: Black color case

01: Straight type

G: General profile actuator(Raise.Long actuator)



CONTACT ARRANGEMENT  
接觸點排列



SWITCHES SHOWN IN OPEN POSITION  
開關示意圖

PIN	NO. of Position	Dimension	
		A	B
12	DP-12-G-01-BL	32.00	27.94
10	DP-10-G-01-BL	26.92	22.86
09	DP-09-G-01-BL	24.38	20.32
08	DP-08-G-01-BL	21.84	17.78
07	DP-07-G-01-BL	19.30	15.24
06	DP-06-G-01-BL	16.76	12.70
05	DP-05-G-01-BL	14.22	10.16
04	DP-04-G-01-BL	11.68	7.62
03	DP-03-G-01-BL	9.14	5.08
02	DP-02-G-01-BL	6.60	2.54

NOTE:  
注:  
"\*" IS IMPORTANT SIZE  
"\*" 為重要尺寸

⑧		
④	BASE 底部	1
③	CONTACT 端子	xx
②	SWITCH BOTTON 開關推鈕	xx
①	COVER 蓋子	1
ITEM	DESC	Q'TY

Part Number: 威納料號		Customer P/n: 客戶料號		SCALE 比例 N/a	GENERAL TOLERANCE 一般公差 MM X.X = ±0.38 X.XX = ±0.12 X.XXX = ±0.051 INCH .XX = ±0.15 .XXX = ±0.005 .XXXX = ±0.0020
DRAWN BY YCX	CHK'D BY	APPR'D BY	FILENAME DP0020-1.dwg	DATE 日期 Feb-18-04	ANGULAR ±1/2°
威納電子股份有限公司 WINPOINT ELECTRONIC CORP. TEL: +886-2-29860208 FAX: +886-2-29838555			Title 名稱 DIP SWITCH PIANO TYPE AND RAISE ACTUATOR 02 TO 12		SHEET: 1 OF 1
Dwg.No: DP0020-1				EDITION A/1	UNIT MM