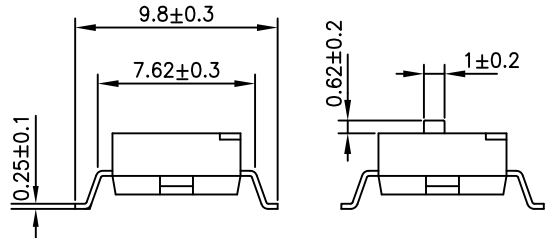
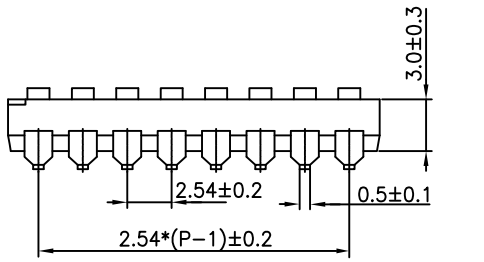
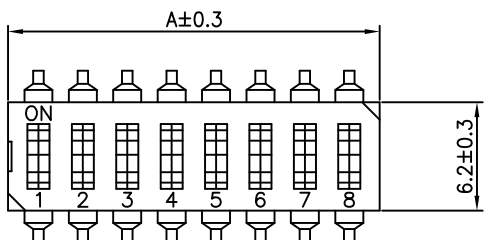
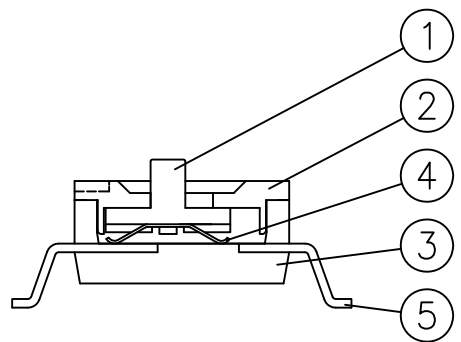


Rev 版次	Revision note 變更內容	Date 日期	DR 制圖
A0	Original Release	Sep.20,02'	DHLin



DS-XX-L-03
SERIES

DS-XX-G-03
SERIES



CONSTRUCTION

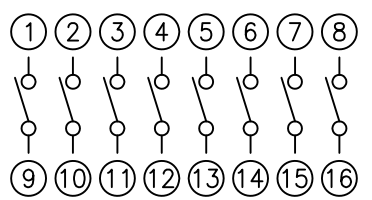
No. of POS	DIM. A
01	3.48
02	6.02
03	8.56
04	11.1
05	13.64
06	16.18
07	18.72
08	21.26
09	23.8
10	26.34
12	31.42

PRODUCT MATRIX:

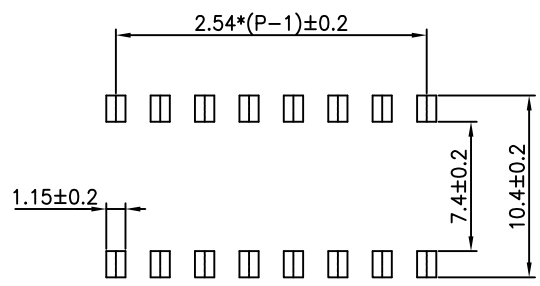
DS-XX-G-03-BK-T
a b c d

- a. Series Name DS
- b. No. of Positions 01~12
- c. Actuator Type
G: General profile (Long actuator)
L: Low profile (Short Actuator)
GT: General profile with seal tape
LT: Low profile with seal tape
- d. Package
T: Tube
R: Tape on Reel

ITEM	DES	MATERIALS	
1	ACTUATOR	UL94V-0 NYLON 6T THERMOPLASTIC	MOLDED WHITE
2	COVER	UL94V-0 NYLON 6T THERMOPLASTIC	MOLDED BLACK
3	BASE	UL94V-0 NYLON 6T THERMOPLASTIC	MOLDED BLACK
4	CONTACT	BERYLLIUM COPPER	GOLD PLATED AT CONTACT AREA
5	TERMINAL	BRASS	GOLD PLATED AT CONTACT AREA AND TIN/LEAD PLATING AT TERMINAL.



CIRCUIT DIAGRAM



P.C.B. LAYOUT

<p>威納電子 WINPOINT ELECTRONIC CORP. www.winpoint.com.tw</p>	Title 名稱 DIP SWITCH SLIDE TYPE SURFACE MOUNT TYPE			
	DR: 制圖 DHLin	CHK'D 審核 Kenny_shi	APP'D 核准 Wang	REV. 日期 A0
PART NUMBER 威納料號 DS-XX-X-03	CUSTOMER P/N 客戶料號 -	DATE 日期 Sep.20,02'	GENERAL TOLERANCE 一般公差 MM X.X = ±0.38 X.XX = ±0.18 X.XXX = ±0.05 INCH.XX = ±0.015 .XXX = ±0.007 XXXX = ±0.0020 UNLESS OTHERWISE SPECIFIED	
DWG NO. 圖號 WP009-1209613-B	FILENAME 路徑 WP/009	SCALE 比例 N/A	<p>ANGULAR ±3°</p>	

ENG.NO. XXXXXX
B
C
D
E
F
A4

A
B
C
D
E
F