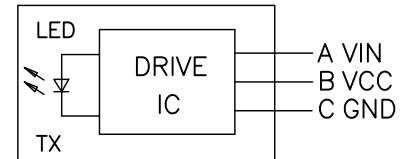
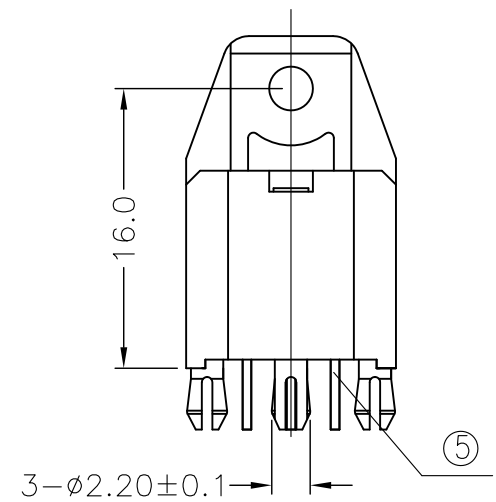
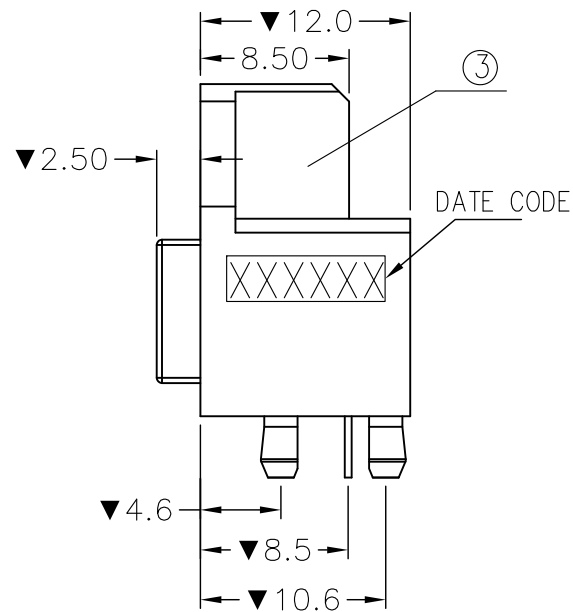
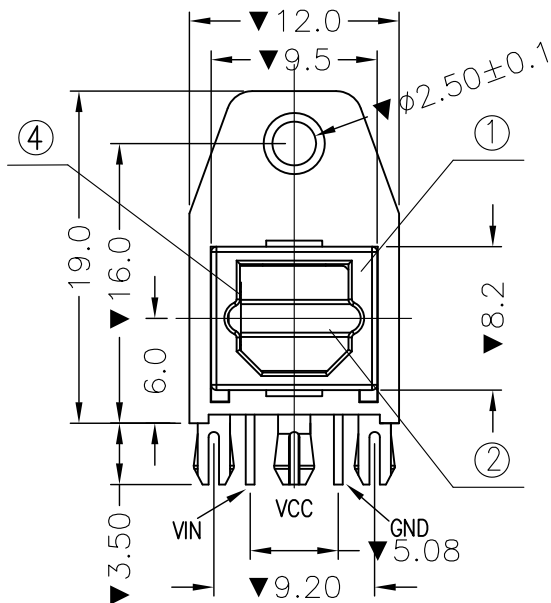
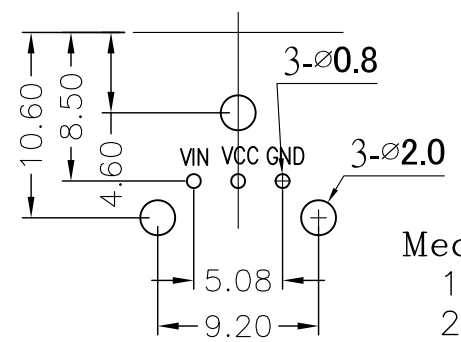


Rev 版次	Revision note 變更內容	Date 日期	DR 制圖
A0	Original Release	Feb.25,12'	Kenny_shi



NOTES:

1. Supply Voltage Rating:2.75-5.25V
2. Input Vol Tage Nin:0.5-VCC+0.5V
3. Transmission Speed:16.0 Mbits/sec(max)
4. Operating Temperature:-20°C~+70°C
5. Recommended Solder Process:
IR Reflow:230°±5° For 30 sec
- 6."▼" IS Important Control Size.



P.C.B LAYOUT
BOTTOM VIEW
P.C.B Tolerance ±0.1

Mechanical Characteristics

1. Insertion Force:40N MAX
2. Withdrawal Force:4N MIN
3. Life Test: 500 Cycles.

RoHS COMPLIANT

⑤	DRIVE IC: TIN PALTED	1
④	SPRING: SUS301	1
③	BASE: PA66 UL94V-0 BLACK	1
②	GATE: PA66 UL94V-0 BLACK	1
①	HOUSING: PA66 UL94V-0 BLACK	1
ITEM	DESC	Q'TY

<p>威納電子 WINPOINT ELECTRONIC CORP. www.winpoint.com.tw</p>	Title 名稱 OPTICAL JACK					
	DR: 制圖 Xuzhijhua	CHK'D 審核 Kenny_shi	APP'D 核准 Chen	REV. AO	UNIT mm	SHEET 1/1
PART NUMBER 威納料號 OF-R-02-B	CUSTOMER P/N 客戶料號 -	DATE 日期 Feb.25,12'	GENERAL TOLERANCE 一般公差 MM X.X = ±0.38 X.XX = ±0.25 X.XXX = ±0.10			
DWG NO. 圖號 WP009-1301719-B	FILENAME 路徑 WP/009	SCALE 比例 1:1	<p>ANGULAR ±3° UNLESS OTHERWISE SPECIFIED</p>			