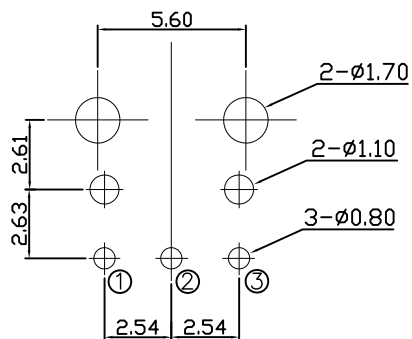
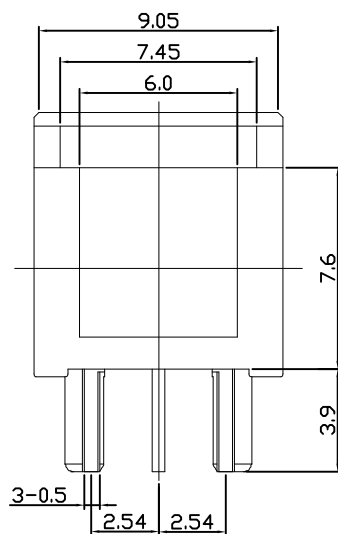
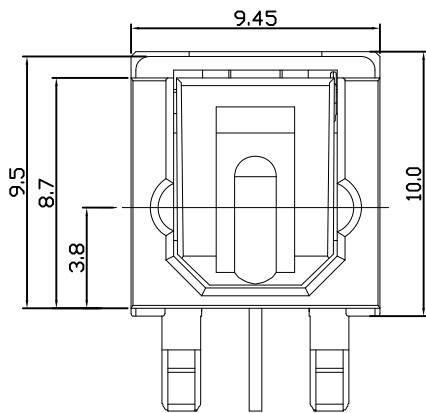
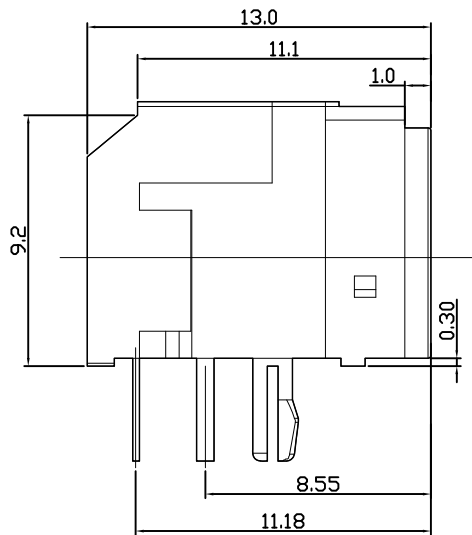


ENG.NO. W0008-1007025

Rev 版次	Revision note 變更內容	Date 日期	DR 制圖
A0	Original Release	Jul.20,09	Xuzhihua



BOTTOM VIEW

NOTES:

1. Supply Voltage Rating: $-0.5 \sim 6V$
2. High Level Output Current(I_{OH}): $-1mA$
3. High Level Output Current(I_{OL}): $5mA$
4. Storage Temperature: $-40^{\circ}C \sim +70^{\circ}C$
5. Operating Temperature: $-20^{\circ}C \sim +70^{\circ}C$

Mechanical Characteristics

1. Insertion Force: $39.2N$ MAX
2. Withdrawal Force: $5.9N$ MIN

Transmitter	
Vin	①
Vcc	②
GND	③

RoHS COMPLIANT

<p>威納電子 WINPOINT ELECTRONIC CORP. www.winpoint.com.tw</p>	<p>Title 名稱 OPTICAL FIBER TRANSMITTER MODULE</p>					
	DR: 制圖 Xuzhihua	CHK'D 審核 XiaoTao	APP'D 核准 Wang	REV. AO	UNIT mm [INCH]	SHEET 1/1
PART NUMBER 威納料號 OF-R-01		CUSTOMER P/N 客戶料號 -		DATE 日期 Jul.20,09		<p>GENERAL TOLERANCE 一般公差</p> <p>MM .XX = ±0.38 .XXX = ±0.18 X.XXX = ±0.05 INCH .X = ±0.015 .XX = ±0.007 .XXX = ±0.0020 UNLESS OTHERWISE SPECIFIED</p>
DWG NO. 圖號 WP004-1007225-B		FILENAME 路徑 WP/004	SCALE 比例 N/A	<p>ANGULAR ±3°</p>		

A4

CUSTOMER DRAWING