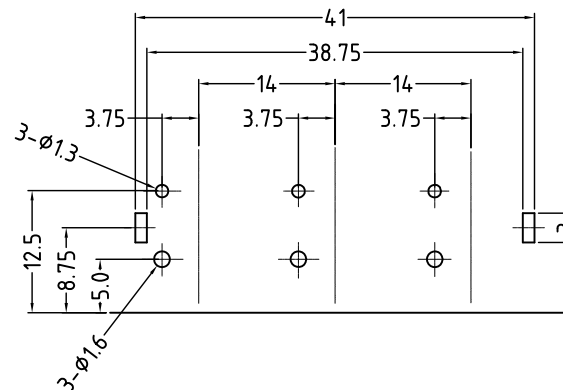
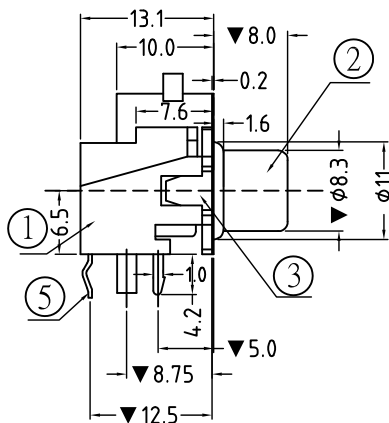
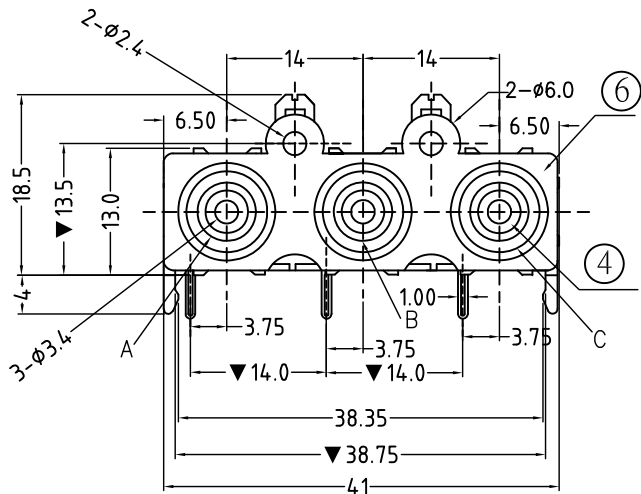
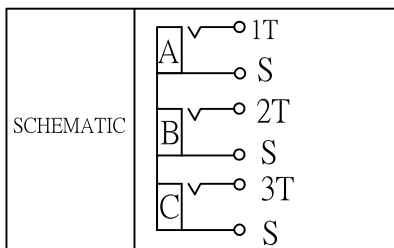


Winpoint P/N:RJ-13AH-YWR-01

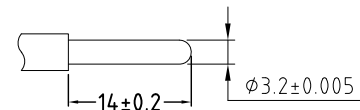


T:1.6 DIMENSIONS OF PC BOARD HOLES
TOLERANCE:±0.1 (PRINTED-SIDE VIEW)



PART NUMBER INFORMATION
RJ-13AH-XXX-01

Color Layout
RWY : A,RED B,WHITE C,YELLOW
RBG : A,RED B,BLUE C,GREEN
YRW : A,YELLOW B,RED C,WHITE
YWR : A,YELLOW B,WHITE C,RED
GBR : A,GREEN B,BLUE C,RED



RoHS COMPLIANT

SPECIFICATION:

- CURRENT RATING:DC 50V/2A
- CONDUCTION RESISTANCE: ≤0.03 OHM
- INSULATION RESISTANCE: ≥100M OHM MIN
- WITHSTAND VOLTAGE:AC500V (50HZ)/MIN
- TEMPERATURE RATING:-30°+70°C
- INSERTION & WITHDRAWAL FORCE:3-30N
- DURABILITY: 5000 CYCLES.
- ▼ IS KEY INSPECTION SIZE
- ROHS COMPLIANT

⑥	SHIELD COVER: BRASS TIN PLATED	1
⑤	COPPER SLEEVE: BRASS TIN PLATED	3
④	PIN: BRASS TIN PLATED	3
③	COVER: PBT UL94V-0 BLACK	1
②	COLOR RING: PBT UL94V-0	3
①	BASE: PBT UL94V-0 BLACK	1
ITEM	DESC	Q'TY

<p>威納電子 WINPOINT ELECTRONIC CORP. www.winpoint.com.tw</p>	<p>Title 名稱 RCA JACK 1×3</p>					
	DR: 制圖 Liyang	CHK'D 審核 Kenny_shi	APP'D 核准 Wang	REV. A2	UNIT mm	SHEET 1/1
PART NUMBER 威納料號 RJ-13AH-XXX-01		CUSTOMER P/N 客戶料號 -		DATE 日期 Aug,05,13'		<p>GENERAL TOLERANCE 一般公差</p> <p>MM X.X = ±0.38 X.XX = ±0.25 X.XXX = ±0.05</p> <p>ANGULAR ±3° UNLESS OTHERWISE SPECIFIED</p>
DWG NO. 圖號 WP001-1106040-B		FILENAME 路徑 WP/001		SCALE 比例 N/A		