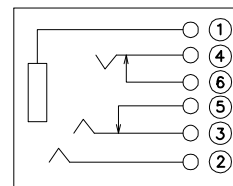
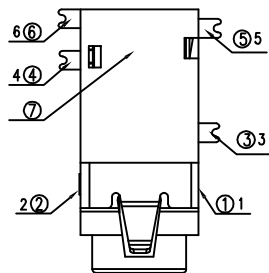
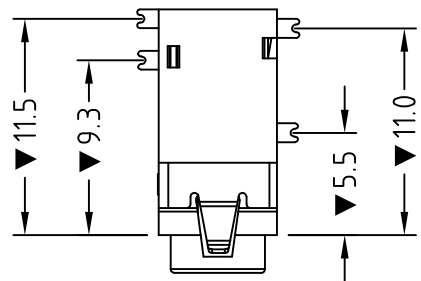


PRELIMINARY DRAWING

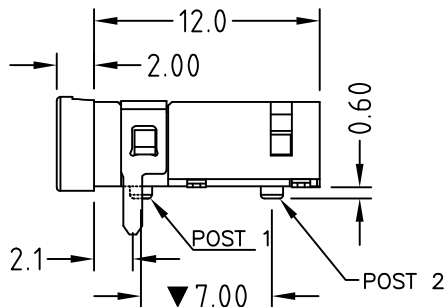
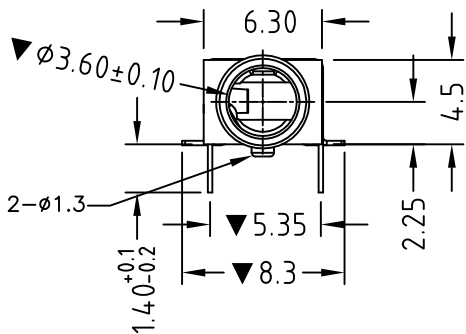
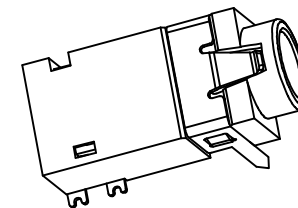
WP P/N:PJ-35R-DT1-BK-B01

Rev 版次	Revision note 變更內容	Date 日期	DR 制圖
X3	Dip leg 2.0->1.4	Aug.21,14'	Kenny_shi

ENG.NO.



SCHEMATIC



MECHANICAL:

- 1. INSERTION AND EXTRACTION FORCE: 0.3Kgf-3.0Kgf.
- 2. LIFE TEST: 5000 CYCLES.

ELECTRICAL SPECIFICATION:

- 1. CURRENT RATING: DC 30V 1 A.
- 2. INSULATION RESISTANCE: 1000MΩ Min.
- 3. CONTACT RESISTANCE: 0.03Ω Max.
- 4. DIELECTRIC WITHSTANDING VOLTAGE: 500 VAC.
- 5. WAVE SOLDERING TEMPERATURE: 250±5°C (3~5 SEC.)
- 6. "▼" IS IMPORTANT CONTROL SIZE.

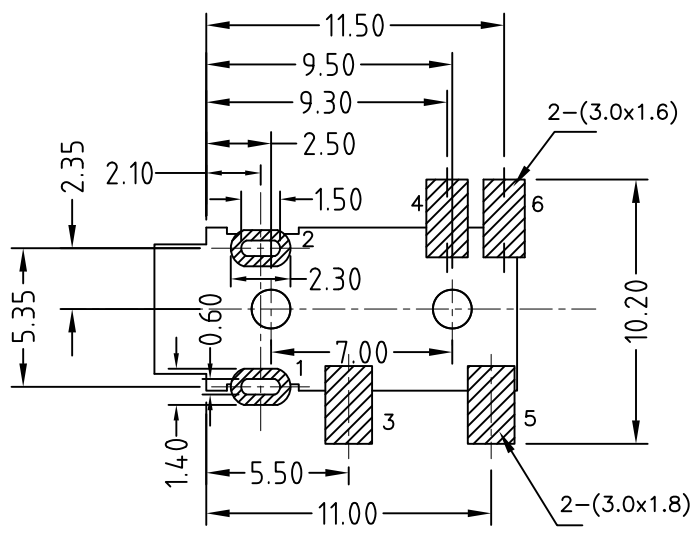
Ordering information:

PJ-35R-DT1-XX-X01

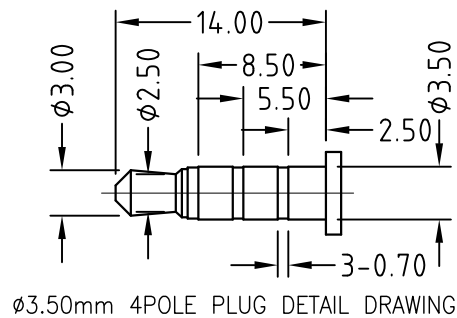
Housing Color: BK:Black, YL:Yellow, GN:Green
 Post Optional: A:With Post 2, B:With Post 1&2

RoHS COMPLIANT

ITEM	DESC	Q'TY
⑦	HOUSING: PA9T UL94V-0 COLOR:BLACK	1
⑥	6# CONTACT FOOT: PHOSPHOR BRONZE 0.25T GOLD FLASH	1
⑤	5# CONTACT FOOT: PHOSPHOR BRONZE 0.25T GOLD FLASH	1
④	4# CONTACT FOOT: PHOSPHOR BRONZE 0.20T GOLD FLASH	1
③	3# CONTACT FOOT: PHOSPHOR BRONZE 0.25T GOLD FLASH	1
②	2# CONTACT FOOT: PHOSPHOR BRONZE 0.25T GOLD FLASH	1
①	1# CONTACT FOOT: PHOSPHOR BRONZE 0.25T GOLD FLASH	1



PCB LAYOUT(TOP VIEW)



ø3.5mm 4POLE PLUG DETAIL DRAWING

威納電子 WINPOINT ELECTRONIC CORP. www.winpoint.com.tw	Title 名稱: ø3.5 PHONE JACK SMT+DIP TYPE						
	DR: 制圖 TANGzgc	CHK'D 審核 Kenny_shi	APP'D 核准 Chen	REV. X3	UNIT mm	SHEET 1/1	
PART NUMBER 威納料號 Refer to ordering info		CUSTOMER P/N 客戶料號 -		DATE 日期 Aug.20,14'		GENERAL TOLERANCE 一般公差	
DWG NO. 圖號 WP009-1408168-B		FILENAME 路徑 WP/009		SCALE 比例 N/A		MM X.X = ±0.38 X.XX = ±0.25 X.XXX = ±0.05 ANGULAR ±3° UNLESS OTHERWISE SPECIFIED	

A4

CUSTOMER DRAWING