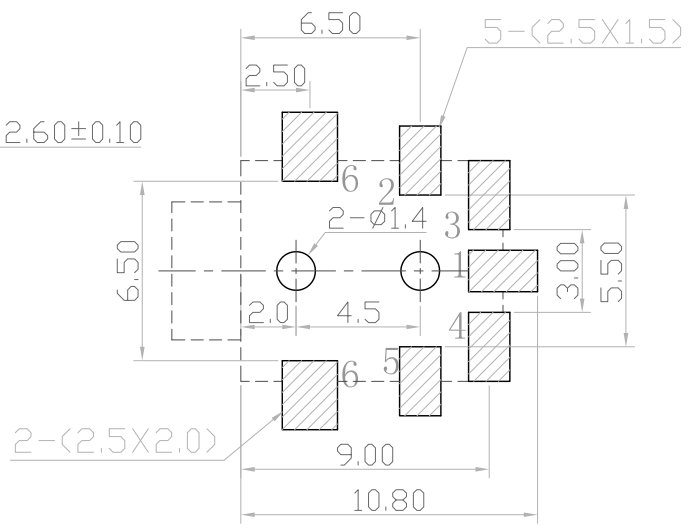
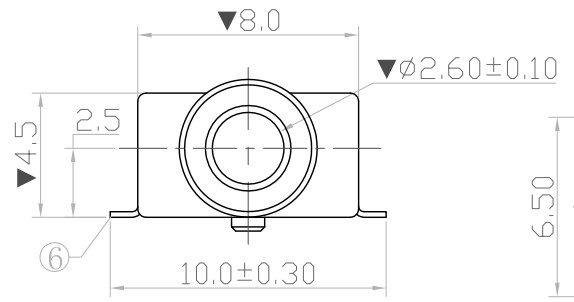
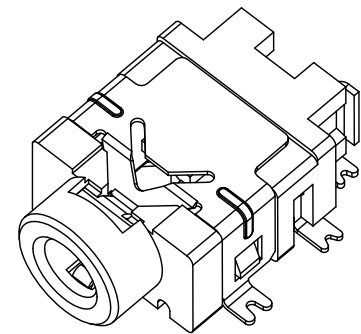
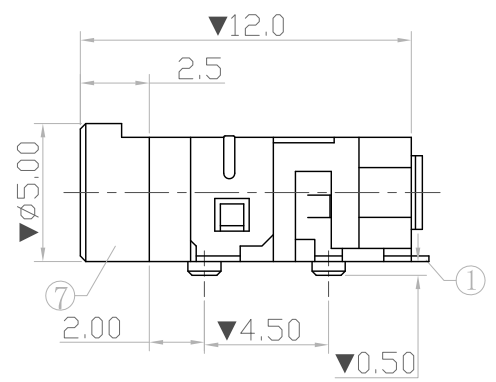
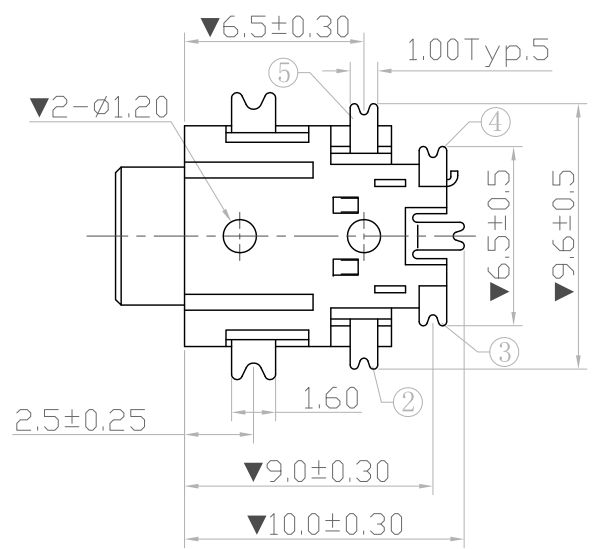


ENG.NO. W0003-1208386

Rev 版次	Revision note 變更內容	Date 日期	DR 制圖
A0	Original Release	Jun.9,12'	DHLin



MECHANICAL:

1. INSERTION FORCE: 20N Max;
2. WITHDRAWAL FORCE: 3N Min.
3. DURABILITY: 5000 CYCLES.

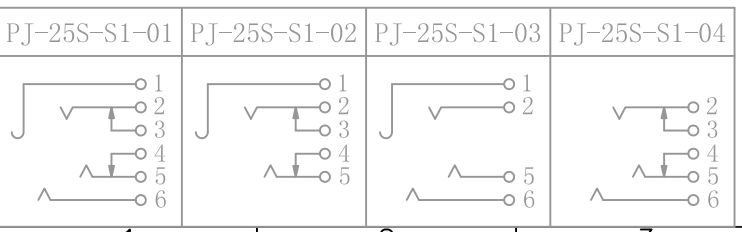
ELECTRICAL SPECIFICATION:

1. RATED VOLTAGE AND CURRENT: AC 30V Max, 1.0A PER CONTACT.
2. INSULATION RESISTANCE: 100 MΩ. Min.
3. CONTACT RESISTANCE: 50mΩ Max.
4. DIELECTRIC WITHSTANDING VOLTAGE: 500V/AC.
- 6."▼" IS IMPORTANT CONTROL SIZE.

RoHS COMPLIANT

ITEM	DESC	Q'TY
⑦	HOUSING: PA9T BLACK UL94V-0	1
⑥	#6CONTACT FOOT BRONZE Ag PLATING	1
⑤	#5CONTACT FOOT SUS301 Ag PLATING	1
④	#4CONTACT FOOT BRASS Ag PLATING	1
③	#3CONTACT FOOT BRASS Ag PLATING	1
②	#2CONTACT FOOT SUS301 Ag PLATING	1
①	#1CONTACT FOOT SUS301 Ag PLATING	1

SCHEMATIC



威納電子 WINPOINT ELECTRONIC CORP. www.winpoint.com.tw		Title 名稱 ∅2.5 PHONE JACK	
DR: 制圖 DHLin	CHK'D 審核 Kenny_shi	APP'D 核准 Wang	REV. A0
PART NUMBER 威納料號 PJ-25S-S1-XX	CUSTOMER P/N 客戶料號 -	DATE 日期 Jun.9,12'	GENERAL TOLERANCE 一般公差
DWG NO. 圖號 WP009-1208551-B	FILENAME 路徑 WP/009	SCALE 比例 1:1	UNIT mm [INCH] SHEET 1/1 MM .XX = ±0.38 .X.XX = ±0.18 X.XXX = ±0.05 INCH .XX = ±0.015 .XXX = ±0.007 .XXXX = ±0.0020 UNLESS OTHERWISE SPECIFIED

A4

CUSTOMER DRAWING