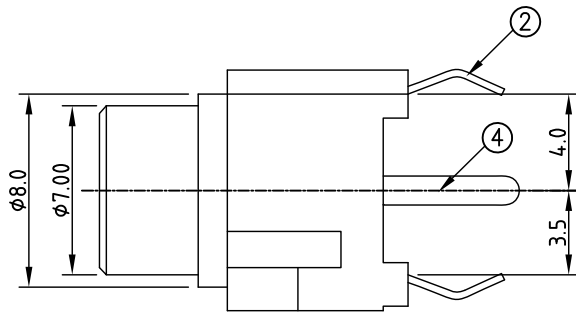
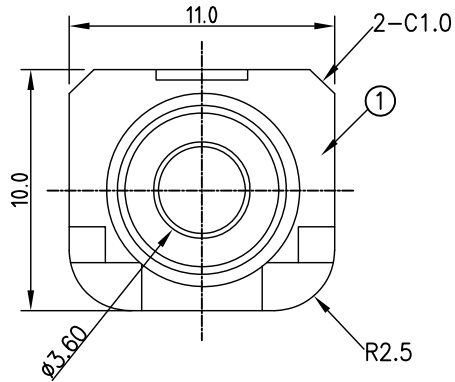


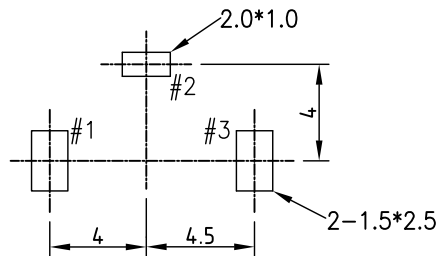
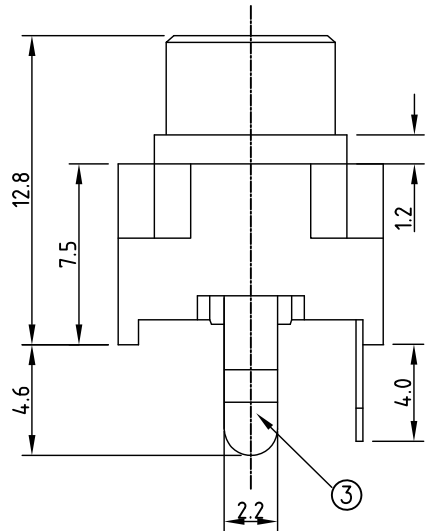
ENG.NO. AJ3501

Rev 版次	Revision note 變更內容	Date 日期	DR 制圖
A0	Original Release	Apr.30,10'	Xuzhihua

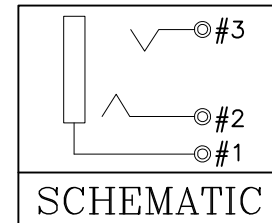


### SPECIFICATION

- 1.VOLTAGE RATING:DC 30V MIN
- 2.CURRENT RATING:1.0A MAX
- 3.CONTACT RESISTANCE:30MΩ MAX
- 4.INSULATION RESISTANCE:100MΩ MIN(DC250V)
- 5.TEMPERATURE RANGE:-25°C~+70°C
- 6.WITHSTAND VOLTAGE:AC500V
- 7.INSERTION FORCE:3KGF MAX
- 8.EXTRACTION FORCE:0.3KGF MIN
- 9.LIFE TESTING:3000 CYCLES



RECOMMENDED PCB LAYOUT  
(JACK BOTTOM VIEW)



RoHS COMPLIANT

④	TERMINAL:COPPER ALLOY, T=0.3mm Ag PLATED	1pcs
③	TERMINAL:COPPER ALLOY, T=0.3mm Ag PLATED	1pcs
②	TERMINAL:COPPER ALLOY, T=0.3mm Ag PLATED	1pcs
①	HOUSING:PBT UL94V-0, BLACK	1pcs
ITEM	DESC	Q'TY

<b>威納電子</b> WINPOINT ELECTRONIC CORP. www.winpoint.com.tw	<b>Title 名稱</b> 3.5 PHONE JACK CONN.					
	DR: 制圖	CHK'D 審核	APP'D 核准	REV. AO	UNIT mm [INCH]	SHEET 1/1
<b>PART NUMBER 威納料號</b> PJ-35R-S1-03	<b>CUSTOMER P/N 客戶料號</b> DC230001141	<b>DATE 日期</b> Apr.30,10'	<b>GENERAL TOLERANCE 一般公差</b> MM .XX = ±0.38 X.XX = ±0.18 X.XXX = ±0.05 INCH .XX = ±0.015 .XXX = ±0.007 .XXXX = ±0.0020 UNLESS OTHERWISE SPECIFIED			
<b>DWG NO. 圖號</b> WP009-1006137-00	<b>FILENAME 路徑</b> WP/009	<b>SCALE 比例</b> N/A	ANGULAR ±3°			

A4

CUSTOMER DRAWING