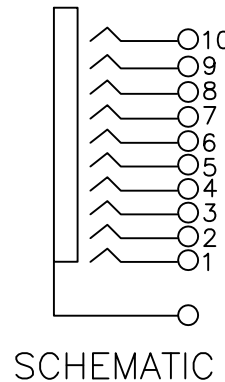
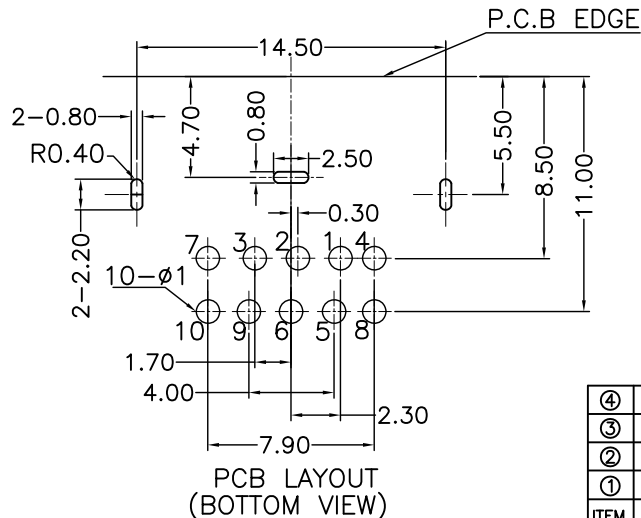
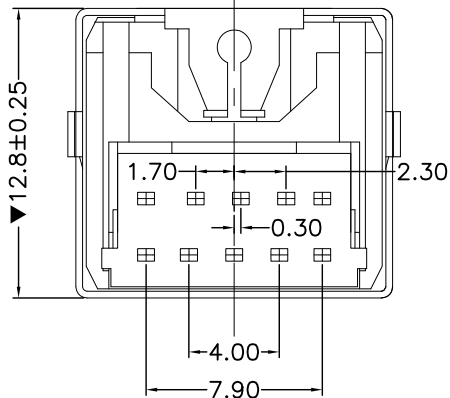
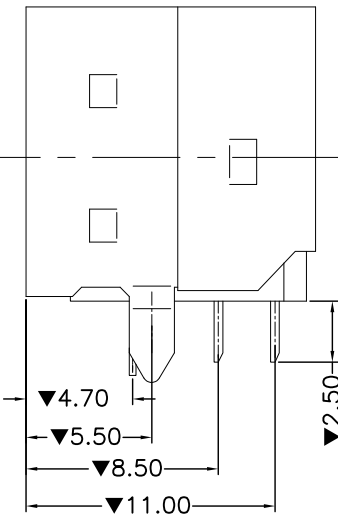
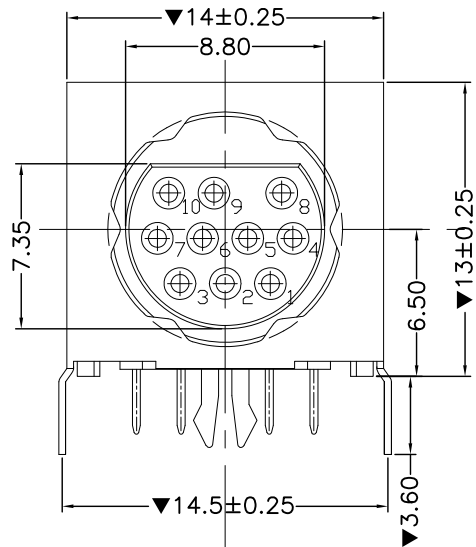


ENG.NO. W0202-1401094



RoHS COMPLIANT

| Rev 版次 | Revision note 變更內容 | Date 日期 | DR 制圖 |
|--------|-----------------------------------|------------|----------|
| A0 | Original Release | Feb.10,13' | Fanny_qu |
| A1 | Update the drawing | Apr.04,14' | TANGzc |
| A2 | Modify the shape of the PCB holes | Spe.26,14' | Fanny_qu |
| A3 | Update SPEC | Mar.31,15' | Fanny_qu |

ELECTRICAL SPECIFICATION:

1. Rated Voltage And Current: Ac 12v Max, 2A Per Contact.
2. Insulation Resistance: 100 MΩ. Min.
3. Contact Resistance: 20mΩ Max.
4. Dielectric Withstanding Voltage: 250V/AC.
5. Operating Temperature: -40°C~+105°C.
- 6."▼" Is Important Control Size.

| ITEM | DESC | Q'TY |
|------|---|------|
| ④ | COVER:PBT UL94V-0 COLOR:BLACK | 1 |
| ③ | SHELL:BRASS TIN PLATING | 1 |
| ② | CONTACT PIN:PHOSPHOR BRONZE TIN PLATING | 10 |
| ① | HOUSING:PBT UL94V-0 COLOR:BLACK | 1 |

Winpoint P/N: MD-10R-**

CONTACT PLATING OPTION
 01 : Tin Plating
 02 : G/F (standard)
 10 : 10u" Gold
 30 : 30u" Gold

| | | | |
|--|------------------------|---|---|
| 威納電子 WINPOINT ELECTRONIC CORP. www.winpoint.com.tw | | Title 名稱 MINI DIN 10PIN JACK SINGLE, RIGHT ANGLE, DIP | |
| DR: 制圖 Fanny_qu | CHK'D 審核 Kenny_shi | APP'D 核准 Chen | REV. UNIT SHEET A3 mm 1/1 |
| PART NUMBER 威納料號 MD-10R-XX | CUSTOMER P/N 客戶料號 - | DATE 日期 Apr.04,14' | GENERAL TOLERANCE 一般公差 MM X.X = ±0.38 X.XX = ±0.25 X.XXX = ±0.05 UNLESS OTHERWISE SPECIFIED |
| DWG NO. 圖號 WP009-1305761-B | FILENAME 路徑 WP/009 | SCALE 比例 N/A | ANGULAR ±3° |

A4

CUSTOMER DRAWING