

ENG.NO. XXXXXX

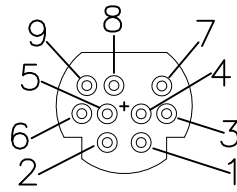
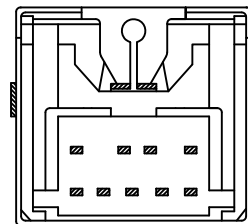
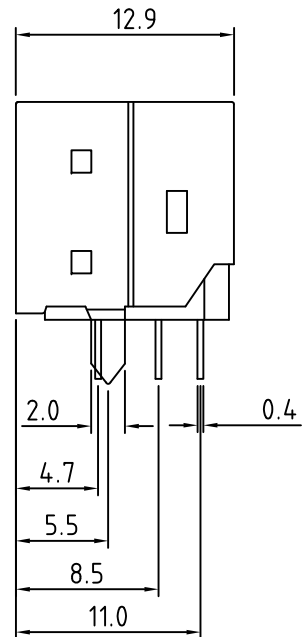
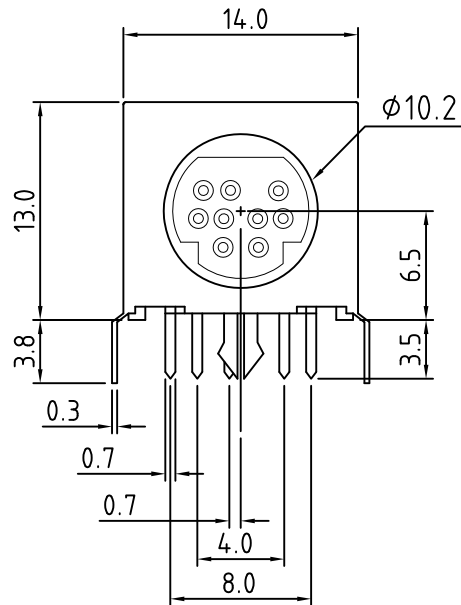
B

C

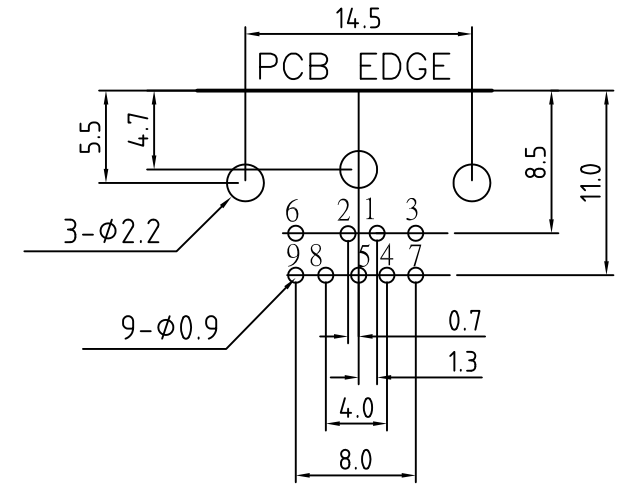
D

E

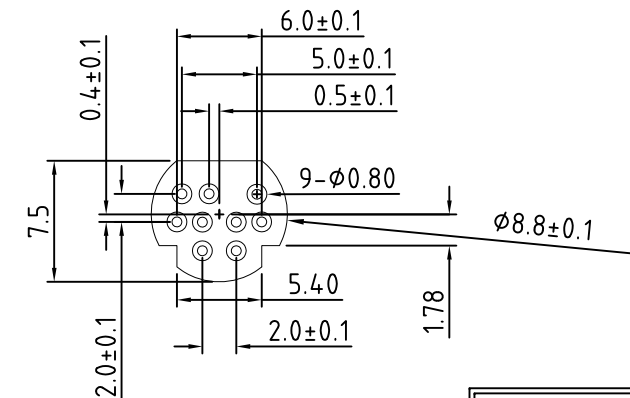
F



Rev 版次	Revision note 變更內容	Date 日期	DR 制圖
A0	Revision note	MAR 02,08'	WQ



PCB LAYOUT (BOTTOM VIEW)



RoHS COMPLIANT

NO.	NAME	MATERIAL	FINISH	Q'TY	REMARK
1	HOUSING	PBT G.F.	BLACK	1	
2	CONTACT	PHOS. BRONZE T:0.2	GOLD-TIN PLATED	9	3u" Gold over Ni:40-60u"; TIN:120u" (100% pure Tin of lead free plating)
3	SHIELD	BRASS T:0.3	TIN PLATED	1	TIN:120-200u"
4	BOTTOM COVER	PBT G.F.	BLACK	1	

威納電子 WINPOINT ELECTRONIC CORP. www.winpoint.com.tw		Title 名稱 MINI DIN JACK SINGLE, RIGHT ANGLE, DIP	
DR制圖 Xuzhihua	CHK'D 審核 Yuanbin	APP'D 核准 Wang	REV. AO
PART NUMBER 威納料號 MD-09R-02	CUSTOMER P/N 客戶料號 467682-005-00	DATE 日期 MAR 02,08'	GENERAL TOLERANCE 一般公差 MM X.X = ±0.38 X.XX = ±0.18 X.XXX = ±0.05 INCH .XX = ±0.015 .XXX = ±0.007 .XXXX = ±0.0020 UNLESS OTHERWISE SPECIFIED
DWG NO. 圖號 WP002-1006069-B	FILENAME 路徑 WP/002	SCALE 比例 N/A	ANGULAR ±3°

A4

CUSTOMER DRAWING