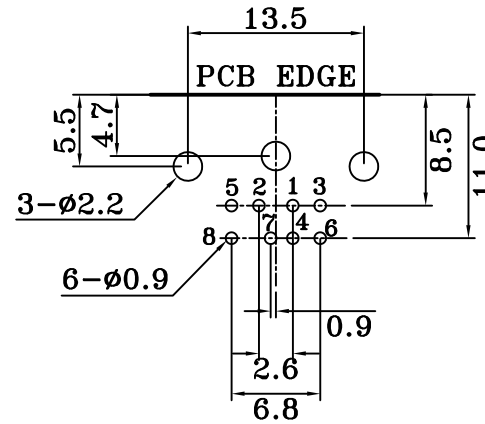
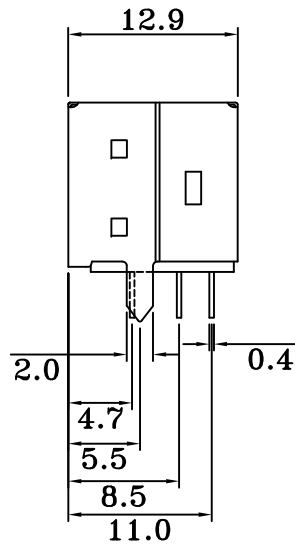
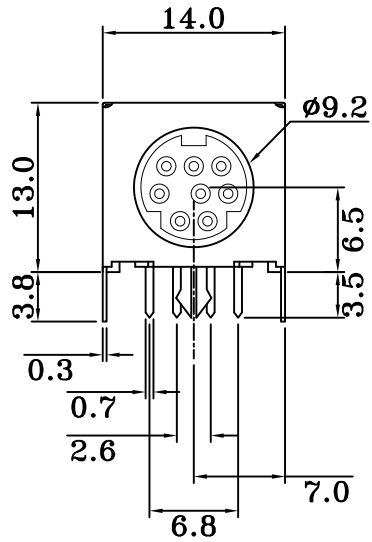
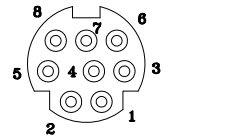


Winpoint P/N: MD-08R-02

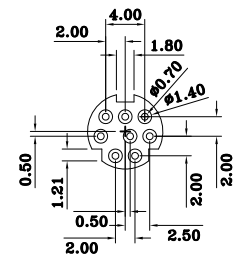
PLATING OPTION
 02 : G/F (standard)
 10 : 10u" Gold
 30 : 30u" Gold



**PCB LAYOUT
(BOTTOM VIEW)**



**ARRANGEMENT
OF CONTACTS -8 port**



NO.	NAME	MATERIAL	FINISH	Q'TY	REMARK
1	HOUSING	PBT G.F.	BLACK	1	
2	CONTACT	PHOS. BRONZE T:0.2	GOLD-TIN PLATED	8	3u" Gold over NI:40~60u"; TIN:120u" (100% pure Tin of lead free plating)
3	SHIELD	BRASS T:0.3	TIN PLATED	1	TIN:120~200u"
4	BOTTOM COVER	PBT G.F.	BLACK	1	

Part Number: 威納料號 MD-08R-02		Customer P/N: 客戶料號 ---		SCALE 比例 N/a	GENERAL TOLERANCE 一般公差 MM X.X = ±0.38 X.XX = ±0.12 X.XXX = ±0.051 INCH .XX = ±0.15 XXX = ±0.005 XXXX = ±0.0020
DRAWN BY Chris Lee	CHK'D BY K.K. SU	APPR'D BY Jerry Chen	FILENAME CAT\MINIDIN	DATE 日期 060117	ANGULAR ±1/2°
Title 名稱 MINI DIN JACK SINGLE, RIGHT ANGLE, DIP			Dwg.No. MD-08R-XX		EDITION A/0
UNIT MM			SHEET: 1 OF 1		