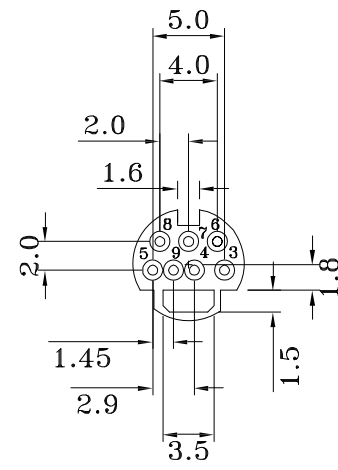
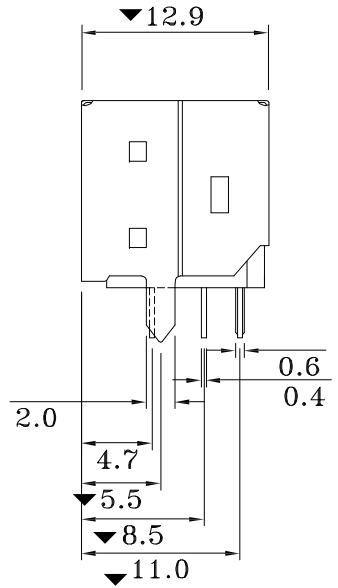
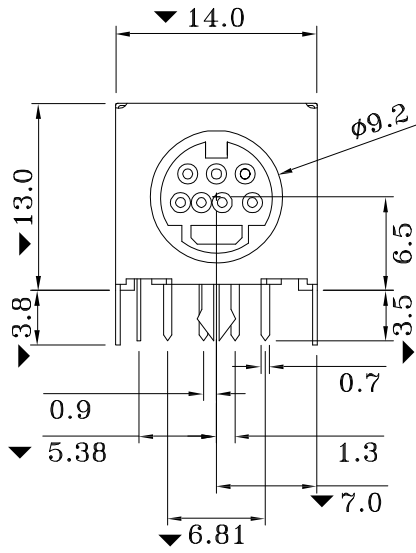


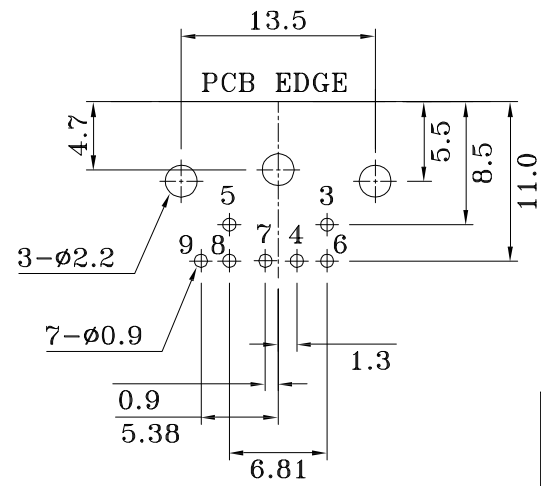
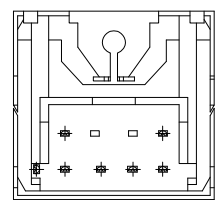
Rev 版次	Revision note 變更內容	Date 日期	App'd 核准
A/0	Original Release	Sep.23,09'	Andy.Lin



SPECIFICATIONS:
 Rated Voltage & Current: DC 12V,2A Max;AC 100V,1A Max
 Dielectric withstanding voltage: 250V AC for 1 minute
 Insulation Resistance: 100MΩ Min. at 500VDC
 Contact Resistance: 30mΩ Max.
 Durability: 100 Cycles
 Insertion force: 4.0Kg Max.
 Extraction force: 0.9Kg Min.
 "▼" Is important control size.

PIN NO.Description:
 MD-07R-XX

Contact plated:
 01: Tin plated
 02: Gold flash plated
 03: 10u" Gold plated
 04: 30u" Gold plated



4	BACK COVER	PBT	BLACK	1
3	SHIELD	COPPER ALLOY	TIN PLATED	1
2	CONTACT	PHOS. BRONZE	GOLD-TIN PLATED	7
1	HOUSING	PBT	BLACK	1
NO.	NAME	MATERIAL	FINISH	Q'TY

RoHS COMPLIANT

威納電子 WINPOINT ELECTRONIC CORP. www.winpoint.com.tw		Title 名稱 MINI DIN JACK				
DR 制圖 Andy.lin	CHK'D 檢驗 Andy.Lin	APP'D 確認 YJ. Lin	REV. A/0	UNIT mm [INCH]	SHEET 1/1	
PART NUMBER 威納料號 MD-07R-XX	CUSTOMER P/N 客戶料號 -	DATE 日期 Sep.23,09'	GENERAL TOLERANCE 一般公差			
DWG NO. 圖號 WP009-1208550-B	FILENAME 路徑 WP/009	SCALE 比例 N/A	MM .XX = ±0.38 .X.XX = ±0.18 .XX.XX = ±0.051 INCH .XX = ±0.15 .XXX = ±0.005 .XXXX = ±0.0020 ANGULAR ±1/2° UNLESS OTHERWISE SPECIFIED			

**P.C.B. RECOMMEND LAYOUT
 BOTTOM VIEW**