

ENG.NO. DN-508B-6-L

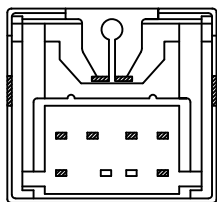
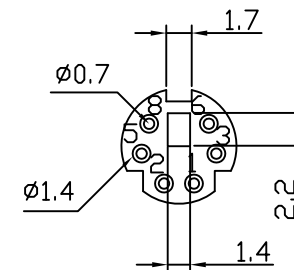
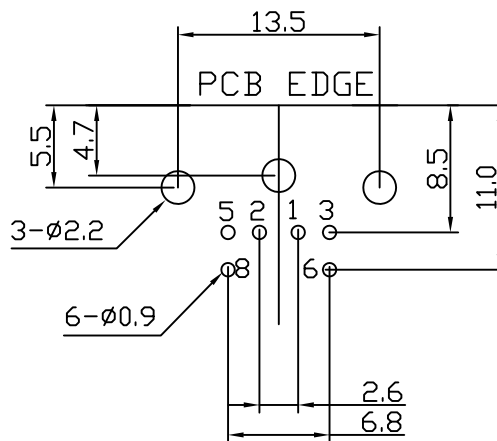
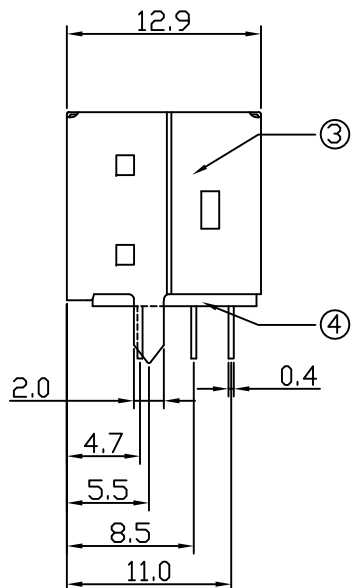
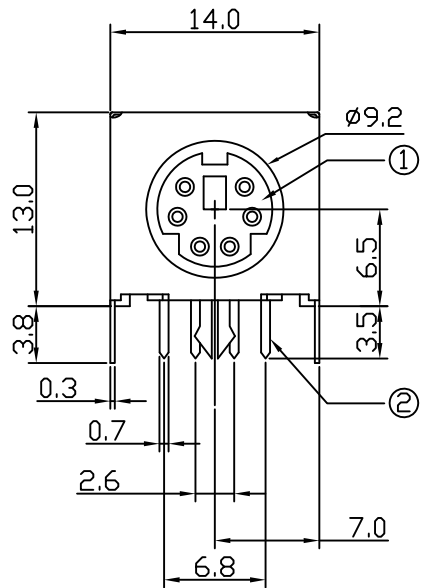
Rev 版次	Revision note 變更內容	Date 日期	Signature 簽名	Checked 核准
A/0	Original Release	Aug.16.06'	Tianyu	WQ

B  
C

D

E

F



NO.	NAME	MATERIAL	FINISH	Q'TY	REMARK
1	HOUSING	PBT G.F.	BLACK	1	
2	CONTACT	PHOS. BRONZE T:0.2	GOLD-TIN PLATED	6	Gold:1~3u'; Ni:40~60u'; TIN:120u' (100% pure Tin of lead free plating)
3	SHIELD	BRASS T:0.3	TIN PLATED	1	TIN:120~200u'
4	BOTTOM COVER	PBT G.F.	BLACK	1	

Part Number: 威納料號 MD-06R-02-B		Customer P/n: 客戶料號 ---		SCALE 比例 N/a	GENERAL TOLERANCE 一般公差 MM X.X = ±0.38 X.XX = ±0.12 X.XXX = ±0.051 INCH.XX = ±0.15 XXX = ±0.005 .XXXX = ±0.0020
DR. 制圖 Tianyu	CHK. 核准 WQ	APPD. 承認 WQ	FILENAME 路徑 C dwg/ Sap dwg	DATE 日期 Aug.16.06'	ANGULAR ±1/2°

威納電子 www.winpoint.com.tw WINPOINT ELECTRONIC CORP. TEL: +886-2-29860208 FAX: +886-2-29838555	Title 名稱 MINI DIN JACK	SHEET: 1 OF 1	
	Dwg.No: 圖號 MD-06R-02-B	EDITION 版本 A/0	UNIT 單位 MM

RoHS COMPLIANT