

Rev 版次	Revision note 變更內容	Date 日期	DR 制圖
A0	Original release	Jun.21,03'	YCX

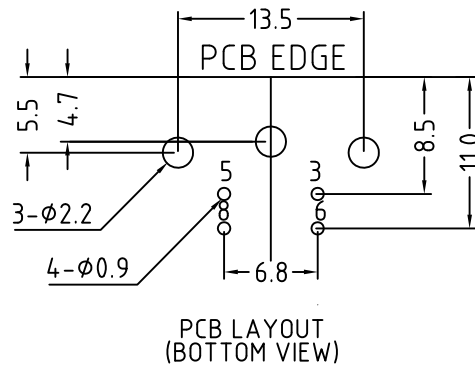
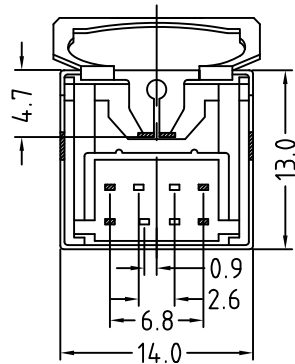
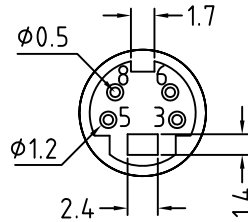
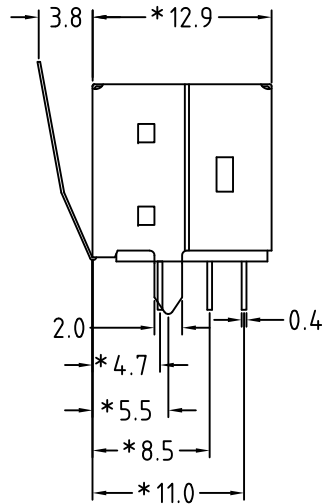
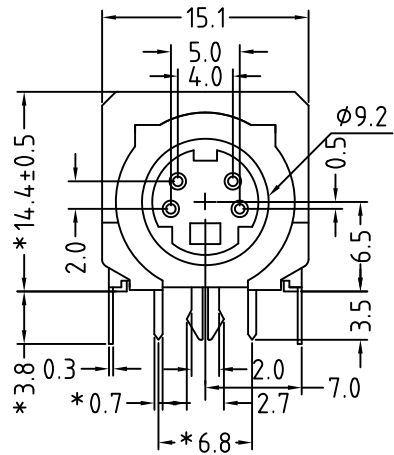
內部用圖

SPECIFICATIONS:

- CURRENT CARRYING CAPACITY:
 - AC:100V 1A MAX.
 - DC:12V 3A MAX.
- CONTACT RESISTANCE:
 - INITIAL,BEFORE LIFE CYCLE TEST.
PIN TO CONTACT:20 MIN-OHMS MAX.
PLUG SHIELD TO CONNECTOR:50 MIN-OHMS MAX.
 - AFTER LIFE CYCLE TEST.
PIN TO CONTACT:80 MIN-OHMS MAX.
PLUG SHIELD TO CONNECTOR:100 MIN-OHMS MAX.
- INSULATION RESISTANCE:
BETWEEN ANY ADJACENT OPEN CONTACTS
SHALL NOT BE LESS THAN 100 MEGA-OHMS
INSULATION RESISTANCE TEST.
- DIELECTRIC STRENGTH:
A POTENTIAL OF 250V AC R.M.S. 50/60HZ
SHALL BE APPLIED BETWEEN ANY OPEN
CONTACTS FOR ONE MINUTE WITHOUT BREAKDOWN.
- INSERTION FORCE:4.5Kg MAX.
- WITHDRAWAL FORCE:0.8Kg-3.5Kg.
- SINGLE CONTACT MAINTENANCE FORCE:30g
MIN.BETWEEN EACH CONTACT AND MATCHING
PIN(0.6±0.03 DIA)
- LIFE CYCLE TEST:
CONNECTOR SHALL BE SUBJECT TO 5,000
CYCLES AT 10 TO 20 CYCLES PER MINUTE
WITH NO ELECTRICAL LOAD.
- " * " IS IMPORTANT SIZE

RoHS COMPLIANT

5	GROUND SHIELD	STAINLESS	0.2 THK		1
4	BACK COVER	P.B.T.	BLACK	UL94V-0 RATING	1
3	SHIELD	BRASS	TIN PLATED	TIN:3-5u	1
2	CONTACT	PHOS. BRONZE	GOLD/TIN PLATED	GOLD:1-3u" Ni:1-5u ; TIN:3u	4
1	HOUSING	P.B.T.	BLACK	UL94V-0 RATING	1
NO.	NAME	MATERIAL	FINISH	REMARK	Q'TY



威納電子
WINPOINT ELECTRONIC CORP.
www.winpoint.com.tw

Title 名稱: MINI DIN JACK, 4 P,RA,, SHIELD

DR 制圖	CHK'D 審核	APP'D 核准	REV. AO	UNIT mm [INCH]	SHEET 1/1
-------	----------	----------	---------	----------------	-----------

PART NUMBER 威納料號 MD-04R-02-S	CUSTOMER P/N 客戶料號 467682-003-99	DATE 日期 Jun.21,03'	GENERAL TOLERANCE 一般公差 MM.XX = ±0.30 X.XX = ±0.15 X.XXX = ±0.05 INCH.XX = ±0.012 XXX = ±0.006 XXXX = ±0.0020 UNLESS OTHERWISE SPECIFIED
DWG NO. 圖號 WP009-1008488-00	FILENAME 路徑 WP/009	SCALE 比例 N/A	ANGULAR ±3°