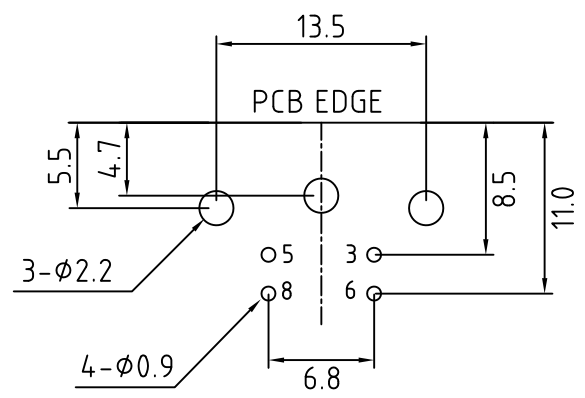
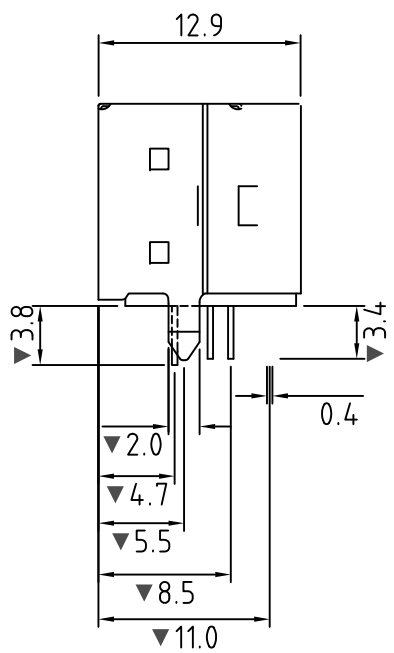
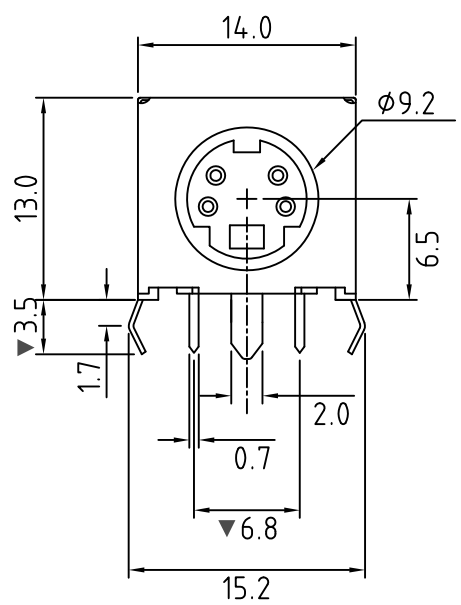
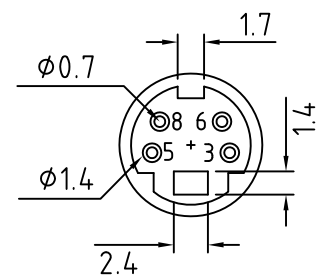


ENG.NO. XXXXXX

Rev 版次	Revision note 變更內容	Date 日期	DR 制圖
A0	Original Release	Dec,14,11'	XYCAI



PCB LAYOUT (BOTTOM VIEW)

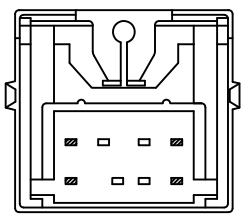
- ELECTRICAL SPECIFICATION:
1. RATED VOLTAGE AND CURRENT: AC 100V Max, 1.5A PER CONTACT.
 2. INSULATION RESISTANCE: 1000 MΩ. Min.
 3. CONTACT RESISTANCE: 50mΩ Max.
 4. DIELECTRIC WITHSTANDING VOLTAGE: 500V/AC.
 5. OPERATING TEMPERATURE: -40°C~+85°C.
 6. "▼" IS IMPORTANT CONTROL SIZE.

RoHS COMPLIANT

PRODUCT INFORMATION:

MD-04R-XX-K

- CONTACT PLATING:
- 01: TIN PLATED
 - 02: FLASH GOLD
 - 05: 5u" GOLD
 - 15: 15u" GOLD
 - 30: 30u" GOLD



④	HOUSING: PBT BLACK	XX
③	CONTACT: PHOS. BRONZE(GOLD/TIN PLATED)	XX
②	SHIELD: COPPER ALLOY(TIN PLATED)	XX
①	BACK COVER: PBT BLACK	XX
ITEM	DESC	Q'TY

威納電子 WINPOINT ELECTRONIC CORP. www.winpoint.com.tw		Title 名稱 MINI DIN JACK SINGLE 4 PIN	
DR: 制圖 XYCAI	CHK'D 審核 Kenny_shi	APP'D 核准 Wang	REV. 日期 A0 Dec,14,11'
PART NUMBER 威納料號 MD-04R-XX-K	CUSTOMER P/N 客戶料號 -	DATE 日期 Dec,14,11'	GENERAL TOLERANCE 一般公差 MM .XX = ±0.38 .XXX = ±0.18 X.XXX = ±0.05 INCH .XX = ±0.015 .XXX = ±0.007 .XXXX = ±0.0020 UNLESS OTHERWISE SPECIFIED
DWG NO. 圖號 WP009-1112318-B	FILENAME 路徑 WP/009	SCALE 比例 N/A	ANGULAR ±3°