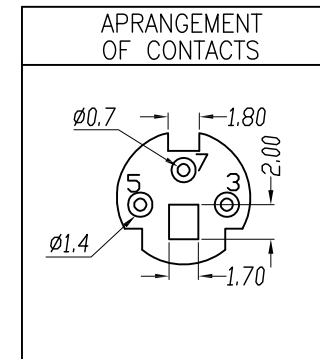
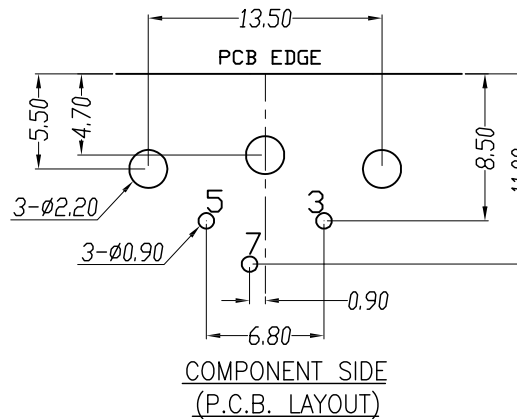
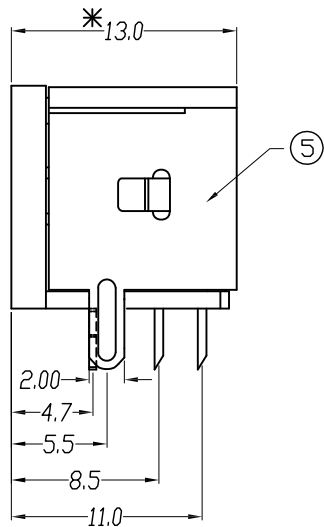
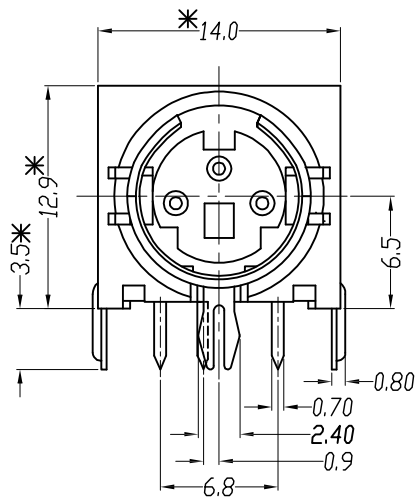


ENG.NO.

DN-508V-3A-L

Rev 版本	Revision note 變更內容	Date 日期	DR 制圖
A0	Original Release	May.05,06'	Xiaotao



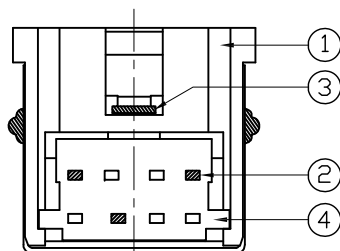
ELECTRICAL SPECIFICATION:

- Contact Resistance: 30mΩ Max.
- Insulation Resistance: 1000 MΩ. Min at 500V DC.
- Rated Voltage And Current: DC 12V. 2A Max; AC 100V. 1A Max.
- Dielectric Withstanding Voltage: 250V AC For 1 Minute.
- Insertion force: 4.0Kg Max;
- Withdrawal force: 0.9Kg Min.
- Durability: 1000 cycles.

"*"Attention to verifying the size of.

RoHS COMPLIANT

Green Product



⑤	Shield: Spcc. T=0.3mm Ni Plated.	1PCS
④	Bottom Cocer: PBT. Color: Black.	1PCS
③	Ground: Brass, T=0.4mm Tin Plated.	1PCS
②	Contact: Phosbronze, T=0.2mm Gold-Tin Plated.	3PCS
①	Housing: PBT. Color: Black.	1PCS
ITEM	DESC	Q'TY

威納電子 WINPOINT ELECTRONIC CORP. www.winpoint.com.tw		Title 名稱 MINI DIN JACK FLAT 3PIN DIP						
DR 制圖 Xiaotao		CHK'D 檢驗 Andy.Lin		APP'D 確認 Wang		REV. AO	UNIT mm [INCH]	SHEET 1/1
PART NUMBER 威納料號 MD-03R-02-S		CUSTOMER P/N 客戶料號 -		CUSTOMER 客戶 -		GENERAL TOLERANCE 一般公差		MM .XX = ±0.38 .X.XX = ±0.18 .X.XXX = ±0.05 INCH .XX = ±0.015 .XXX = ±0.007 .XXXX = ±0.0020 UNLESS OTHERWISE SPECIFIED
DWG NO. 圖號 WP004-1007193-B		FILENAME 路徑 WP/004		SCALE 比例 N/A		ANGULAR ±3°		

A4

CUSTOMER DRAWING