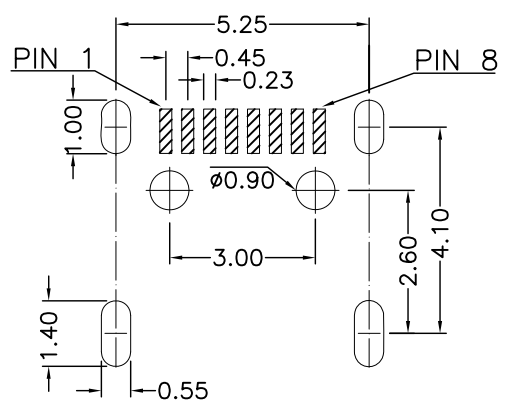
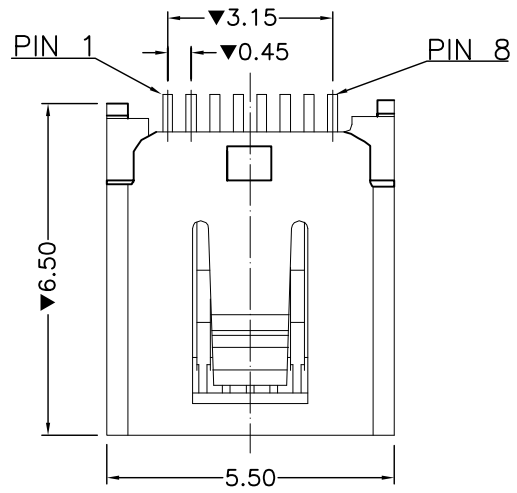


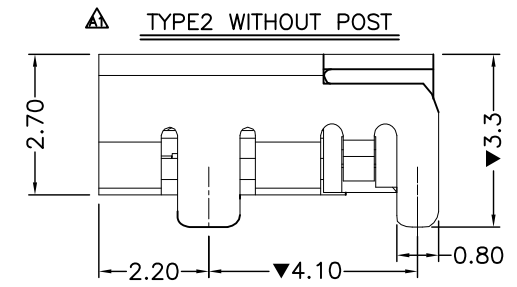
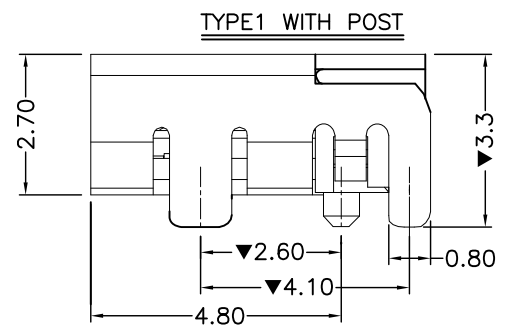
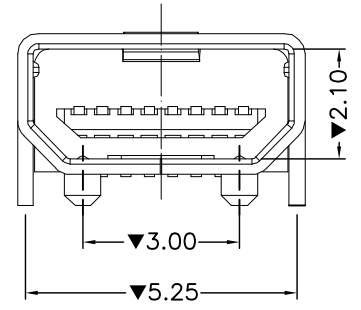
ENG.NO. W0137-1307485

Rev 版次	Revision note 變更內容	Date 日期	DR 制圖
A0	Original Release	Nov.14,10'	Fanny_qu
A1	Add Type Optional	Jan.15,14'	Kenny_shi



ELECTRICAL SPECIFICATION:

1. Current Rating: 0.5A AC(rms)/DC
2. Insulation Resistance: 1000 MΩ. Min.
3. Contact Resistance: 20mΩ Max.
4. Dielectric Withstanding Voltage: 300V/AC.
5. Operating Temperature: -40°C~+85°C.
6. "▼" Is Important Control Size.



Product Information:

3410-MF8-RSX-XX-B

▲ Type Optional
 1:Type1 With Post
 2:Type2 W/O Post

Housing Color
 B:Black(Standard)

Contact Plating
 02: Gold Flash
 10: Gold 10u"
 15: Gold 15u"
 30: Gold 30u"

RoHS COMPLIANT

ITEM	DESC	Q'TY
③	SHELL:COPPER ALLOY, GOLD PLATING	1
②	CONTACT:PHOSPHOR BRONZE GOLD /TIN ON SOLDER AREA	8
①	HOUSING:HIGH TEMPERTURE PLASTIC UL94V-0	1

威納電子 WINPOINT ELECTRONIC CORP. www.winpoint.com.tw		Title 名稱 MINI-USB 8PIN FEMALE SMT TYPE H=2.70	
DR: 制圖 Fanny_qu	CHK'D 審核 Kenny_shi	APP'D 核准 Chen	REV. 日期 A1 Jan.15,14'
PART NUMBER 威納料號 3410-MF8-RSX-XX-B	CUSTOMER P/N 客戶料號 -	DATE 日期 Jan.15,14'	GENERAL TOLERANCE 一般公差 MM X.X = ±0.38 X.XX = ±0.25 X.XXX = ±0.05 UNLESS OTHERWISE SPECIFIED
DWG NO. 圖號 WP009-1307830-B	FILENAME 路徑 WP/009	SCALE 比例 N/A	ANGULAR ±3°