

ENG.NO. W0208-1503026

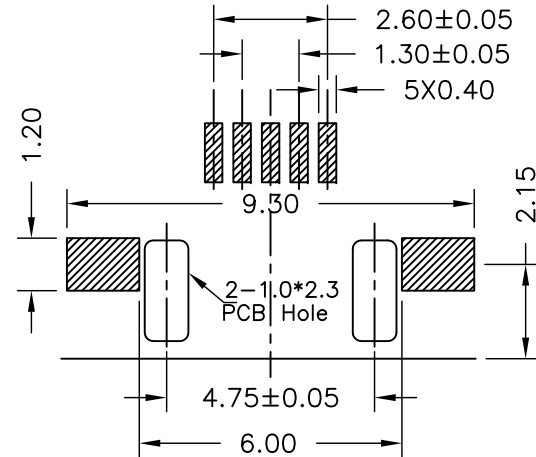
ROHS COMPLIANT

Rev 版次	Revision note 變更內容	Date 日期	DR 制圖
A0	Original Release	Oct.27,13'	Chenyq

Ordering information:

3410-CFHS3 X K X

- Contact Plated
- 2 - Gold Flash
 - A - 10u" Gold
 - B - 15u" Gold
 - C - 30u" Gold
- Shell Options
- Blank: Copper Alloy
 - S: SPCC
 - U: SUS



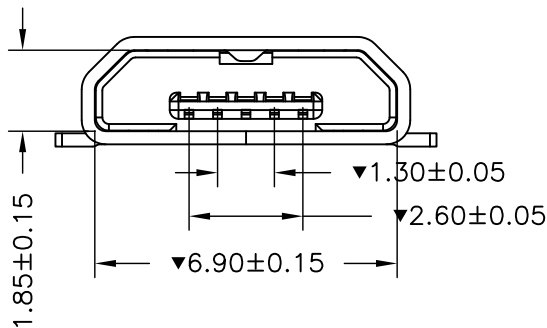
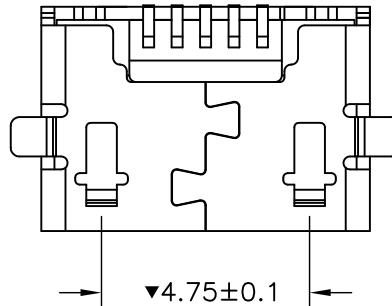
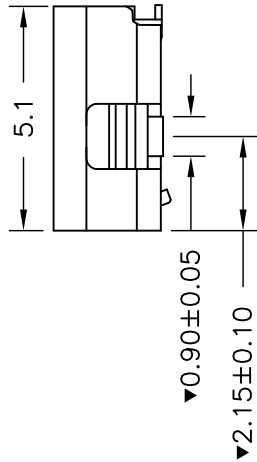
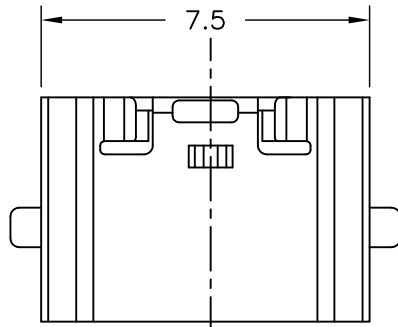
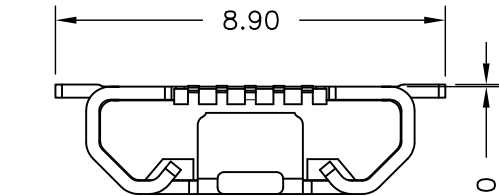
Recommended P.C.B layout

MECHANICAL:

1. Insertion Force: 3.57 Kgf Max;
2. Withdrawal Force: 1.0 Kgf Min.
3. Durability: 5000 Cycles.

ELECTRICAL SPECIFICATION:

1. Rated Voltage And Current: Ac 100v Max, 1A Per Contact.
2. Insulation Resistance: 100 MΩ. Min.
3. Contact Resistance: 30mΩ Max.
4. Dielectric Withstanding Voltage: 500V/AC.
5. Operating Temperature: -30°C~+80°C.
6. "▼" Is Important Control Size.



③	Shell:<Part Number Options> Ni Plated	1
②	Contact:Copper Alloy Gold Plated/Ni Underplated Overall	5
①	Housing:High Temperature Thermoplastic,UL94V-0 Black	1
ITEM	DESC	Q'TY

威納電子 WINPOINT ELECTRONIC CORP. www.winpoint.com.tw		Title 名稱 Micro 5P / F Reverse SMT Type No Crimping				
DR: 制圖 Chenyq	CHK'D 審核 Kenny_shi	APP'D 核准 Chen	REV. AO	UNIT mm	SHEET 1/1	
PART NUMBER 威納料號 Refer to ordering info	CUSTOMER P/N 客戶料號 -	DATE 日期 Oct.27,13'	GENERAL TOLERANCE 一般公差			
DWG NO. 圖號 WP009-1503298-B	FILENAME 路徑 WP/009	SCALE 比例 1:1	MM X.X = ±0.38 X.XX = ±0.25 X.XXX = ±0.05 UNLESS OTHERWISE SPECIFIED ANGULAR ±3°			

A4

CUSTOMER DRAWING