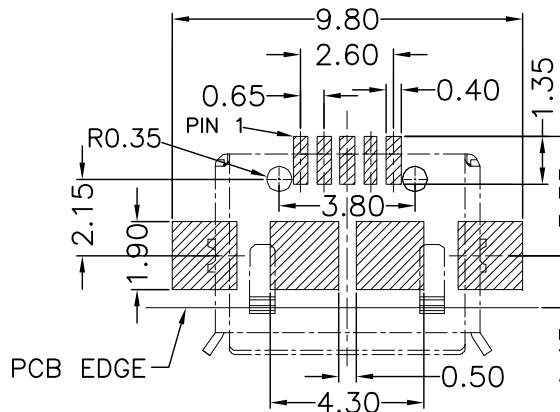
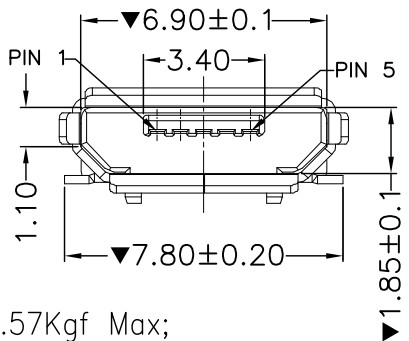
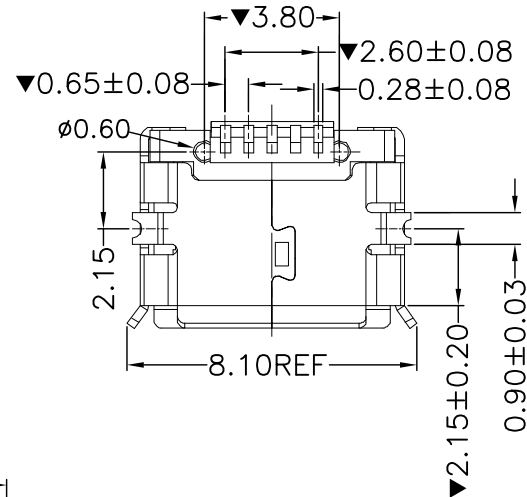
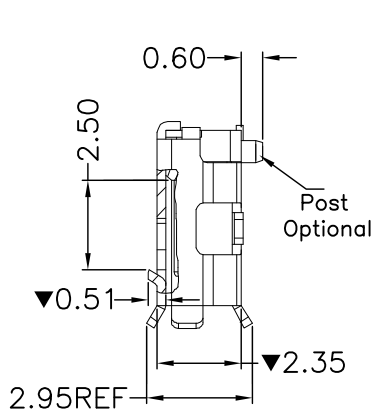
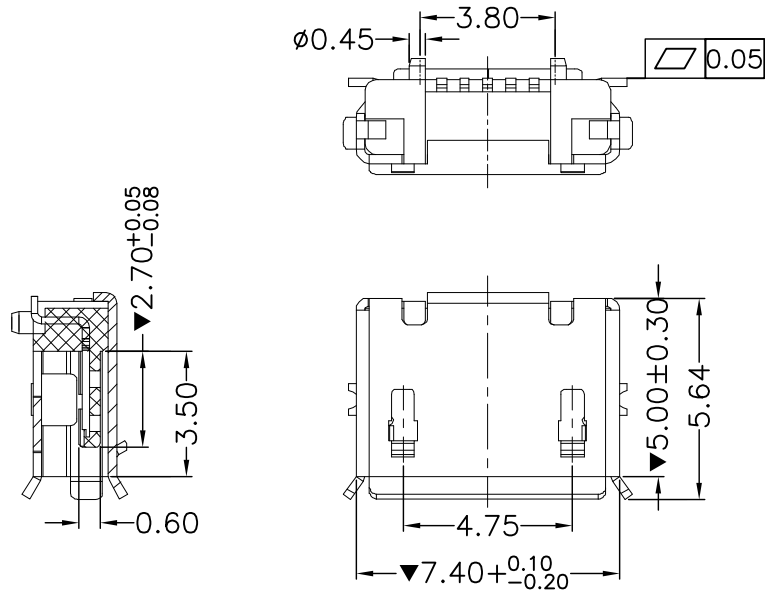


ENG.NO. W0117-1311988

Rev 版次	Revision note 變更內容	Date 日期	DR 制圖
A0	Original Release	Aug.27,10'	Fanny_qu



PRODUCT INFORMATION:

3410-CF-RS7-XX-BX

Contact Plating
 01: Tin plating
 02: Gold Flash
 10: 10u" gold plating
 30: 30u" gold plating

Post Optional
 Blank:with post
 0:Without Post

RoHS COMPLIANT

MECHANICAL:

1. Insertion Force: 3.57Kgf Max;
2. Withdrawal Force: 1.0Kgf Min.
3. Durability: 10000 Cycles.

ELECTRICAL SPECIFICATION:

1. Current rating: 1A Max
2. Insulation Resistance: 1000 MΩ. Min.
3. Contact Resistance: 50mΩ Max.
4. Dielectric Withstanding Voltage: 100V/AC.
5. Operating Temperature: -30°C~+80°C.
6. "▼" Is Important Control Size.

ITEM	DESC	Q'TY
⑤	SHELL:C2680 TIN/NICKEL PLATING	1
②	CONTACT:C2680 GOLD/TIN/NICKEL PLATING	5
①	HOUSING:HIGH TEMPERATURE THERMOPLASTIC UL94V-0	1

<p>威納電子 WINPOINT ELECTRONIC CORP. www.winpoint.com.tw</p>	Title 名稱 Micro USB SMT TYPE					
	DR:制圖 Fanny_qu	CHK'D 審核 Kenny_shi	APP'D 核准 Chen	REV. AO	UNIT mm	SHEET 1/1
PART NUMBER 威納料號 3410-CF-RS7-XX-BX		CUSTOMER P/N 客戶料號 -		DATE 日期 Aug.27,10'		GENERAL TOLERANCE 一般公差
DWG NO. 圖號 WP009-1312927-B		FILENAME 路徑 WP/009		SCALE 比例 N/A		<p>MM X.X = ±0.38 X.XX = ±0.25 X.XXX = ±0.05 UNLESS OTHERWISE SPECIFIED ANGULAR ±3°</p>

A4

CUSTOMER DRAWING