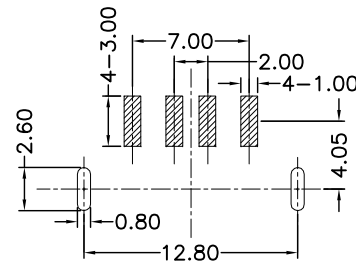
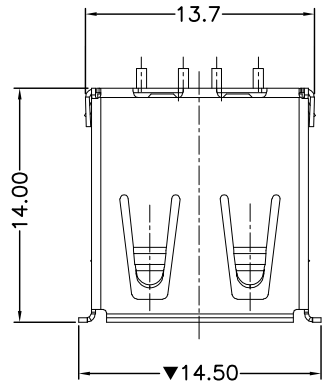
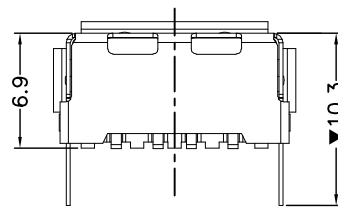
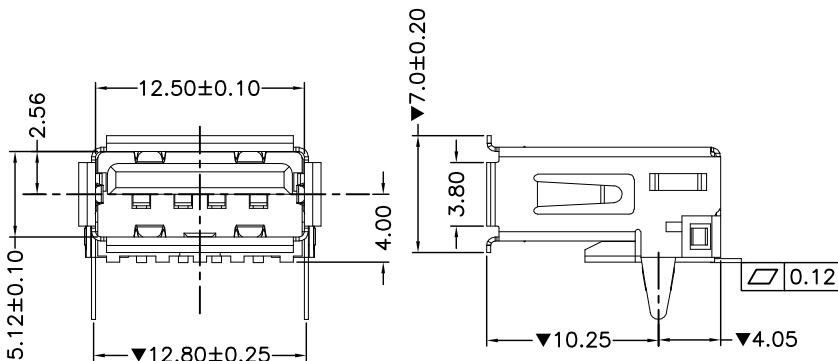


ENG.NO. W0169-1411014

Rev 版次	Revision note 變更內容	Date 日期	DR 制圖
A0	Original Release	Aug.27,09'	Fanny_qu



Recommend P.C.B Layout



MECHANICAL:

1. Insertion Force: 3.75Kgf Max;
2. Withdrawal Force: 1.02Kgf Min.

ELECTRICAL SPECIFICATION:

1. Insulation Resistance: 1000 MΩ. Min.
2. Contact Resistance: 30mΩ Max.
3. Dielectric Withstanding Voltage: 500V/AC.
4. Operating Temperature: -40°C~+85°C.
5. "▼" Is Important Control Size.

Ordering information:

3410-AFRS1 X X

CONTACT PLATING:

- 1: TIN PLATED
- 2: FLASH GOLD
- 5: 5u" GOLD
- A-10u" Gold
- B-15u" Gold

- Hosing Color:**
- K:black(Standard)
 - W:White
 - B:Blue

RoHS COMPLIANT

ITEM	DESC	Q'TY
③	Contact:Copper Alloy	4
②	Shell:Copper Alloy Nickel Plating	1
①	Housing:High-Thermoplastic UL94V-0 Color:See Part No. 1	1

<p>威納電子 WINPOINT ELECTRONIC CORP. www.winpoint.com.tw</p>	<p>Title 名稱: USB A/F SMT & DIP CONNECTOR</p>						
	DR: 制圖 Fanny_qu	CHK'D 審核 Kenny_shi	APP'D 核准 Chen	REV. AO	UNIT mm	SHEET 1/1	
PART NUMBER 威納料號 Refer to ordering info		CUSTOMER P/N 客戶料號 -		DATE 日期 ----		GENERAL TOLERANCE 一般公差	
DWG NO. 圖號 WP009-1411237-B		FILENAME 路徑 WP/009		SCALE 比例 N/A		<p>MM X.X = ±0.38 X.XX = ±0.25 X.XXX = ±0.05 UNLESS OTHERWISE SPECIFIED</p>	