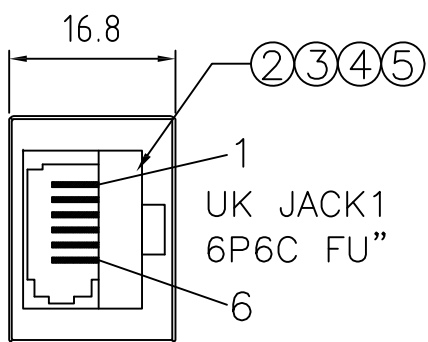
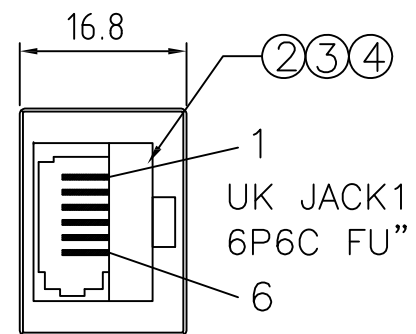
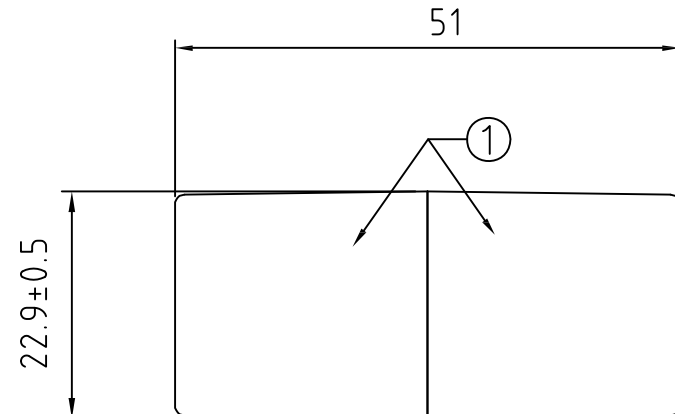
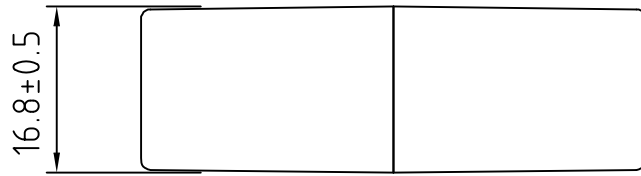


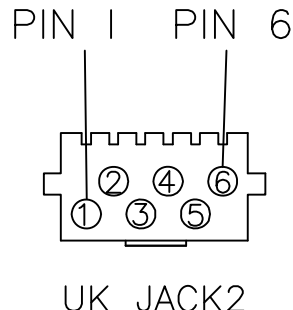
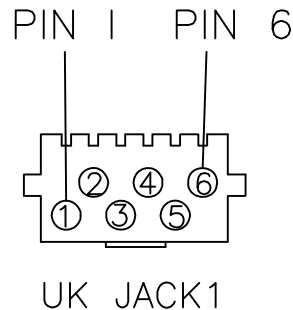
ENG.NO. W0033-101118

Rev 版次	Revision note 變更內容	Date 日期	DR 制圖
A0	Original Release	NOV.03.10'	Lijunhua



WIRING METHOD

UK JACK1	COLOR	UK JACK2
1	WHITE	1
2	BLACK	2
3	RED	3
4	GRREN	4
5	YELLOW	5
6	BLUE	6



RoHS COMPLIANT

ITEM	DESC	Q'TY
⑤	WIRE: UL 7*0.11*1.05 L=50mm	6
④	JACK TERMINAL: BRASS.	12
③	JACK PIN: 3U" GOLD PLATED.	12
②	JACK 6PIN SUPPORT: ABS, WHITE COLOR	2
①	HOUSING: ABS,WHITE COLOR	2

威納電子 WINPOINT ELECTRONIC CORP. www.winpoint.com.tw		Title 名稱 6P6C Jack Adapter			
DR: 制圖 Lijunhua	CHK'D 審核 Shihao	APP'D 核准 Wang	REV. A0	UNIT mm [INCH]	SHEET 1/1
PART NUMBER 威納料號 3296-UK03JD-6P6C	CUSTOMER P/N 客戶料號 -	DATE 日期 NOV.03.10'	GENERAL TOLERANCE 一般公差		
DWG NO. 圖號 WP009-1011771-B	FILENAME 路徑 WP/009	SCALE 比例 N/A	ANGULAR ±3° <small>MM .XX = ±0.38 X.XX = ±0.18 X.XXX = ±0.05 INCH .XX = ±0.015 .XXX = ±0.007 .XXXX = ±0.0020 UNLESS OTHERWISE SPECIFIED</small>		