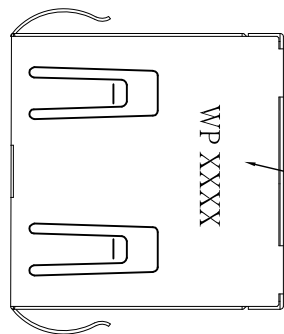


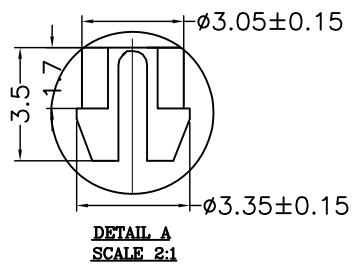
ENG.NO. W0006-1210429

WP P/N:3250P-8803YG3-BK

Rev版次	Revision note 變更內容	Date 日期	DR 制圖
A0	Original Release	Aug.18,07'	Fanny_qu



XX XX
 Years ex:13=2013
 week ex:01~52



ELECTRICAL SPECIFICATION:

1. RATED VOLTAGE AND CURRENT: AC 125V , 1.5A PER CONTACT.
2. INSULATION RESISTANCE: 500 MΩ. Min.
3. CONTACT RESISTANCE: 30mΩ Max.
4. OPERATING TEMPERATURE: -40°C~+85°C.
5. "▼" IS IMPORTANT CONTROL SIZE.

LED FALINGSE

FORWARD DC CURRENT: 2mA
 FORWARD VOLTAGE: 1.8 VOLTS TYPICAL
 REVERSE VOLTAGE: 5 VOLTS MIN.

3250P- 88 XX X X 3 -XX

PLATING CODE

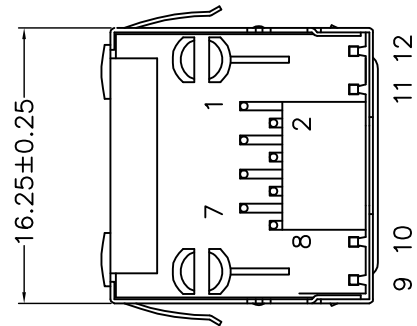
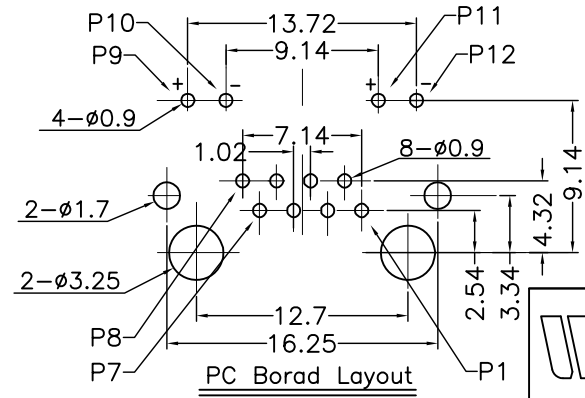
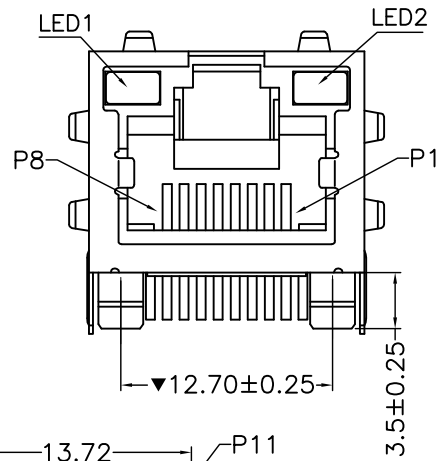
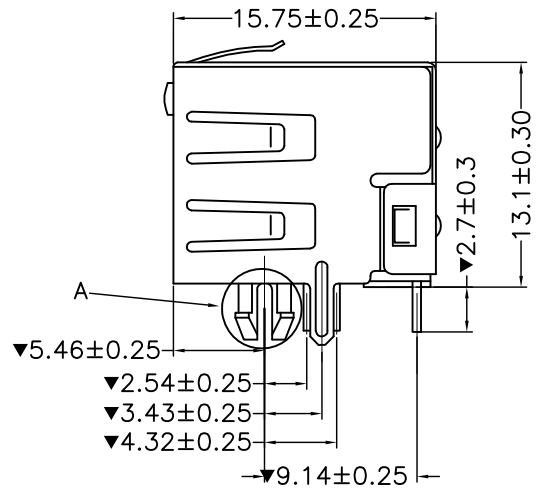
- 02 : GOLD FLASH PLATED
- 03 : 03u" MIN. GOLD PLATED
- 06 : 06u" MIN. GOLD PLATED
- 15 : 15u" MIN. GOLD PLATED
- 30 : 30u" MIN. GOLD PLATED

INSULATOR COLOR
 BK:BLACK(STANDARD)
 YL:YELLOW

LED 2 CODE
 0 : W/O LED
 G : GREEN
 Y : YELLOW

LED 1 CODE
 0 : W/O LED
 G : GREEN
 Y : YELLOW

RoHS COMPLIANT



④	LED:COLOR SEE PART NUMBER	2
③	SHIELD: 0.25mm THICK COPPER ALLOY PLATED WITH TIN	1
②	CONTACTS: 0.35mm PHOS-BRONZE GOLD PLATED AND 100u" TIN PLATED IN SOLDER AREA.	8
①	HOUSING:PLASTIC MATERIAL UL94V-0	1
ITEM	DESC	Q'TY

威納電子 WINPOINT ELECTRONIC CORP. www.winpoint.com.tw		Title 名稱 RJ45 CONNECTOR WITH LED	
DR: 制圖 Fanny_qu	CHK'D 審核 Kenny_shi	APP'D 核准 Wang	REV. UNIT SHEET AO mm 1/1
PART NUMBER 威納料號 3250P-88XXXX3-XX	CUSTOMER P/N 客戶料號 -	DATE 日期 Aug.18,07'	GENERAL TOLERANCE 一般公差 MM X.X = ±0.38 X.XX = ±0.25 X.XXX = ±0.10
DWG NO. 圖號 WP034-1211658-B	FILENAME 路徑 WP/034	SCALE 比例 N/A	ANGULAR ±3° UNLESS OTHERWISE SPECIFIED

A4

CUSTOMER DRAWING

THIS DRAWING CONTAINS INFORMATION THAT IS PROPRIETARY TO WINPOINT ELECTRONIC CORP. AND SHOULD NOT BE USED WITHOUT WRITTEN PERMISSION