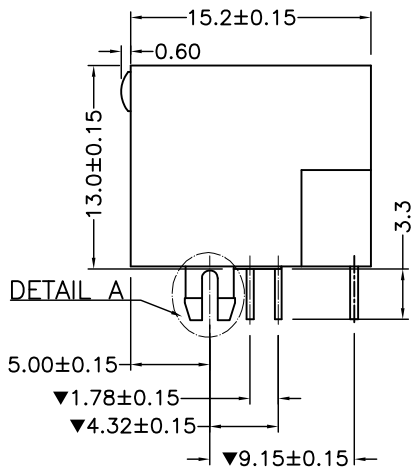
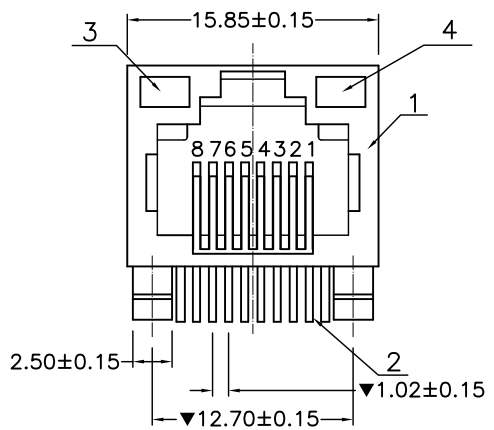


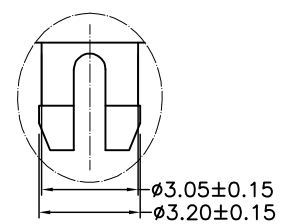
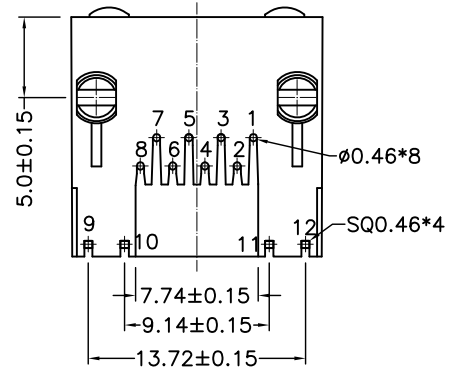
ENG.NO. W0012-1307486

| Rev 版次 | Revision note 變更內容 | Date 日期 | DR 制圖 |
|--------|--------------------------------------|------------|----------|
| A0 | Original Release | Sep.30,03' | Lijunhua |
| A1 | Option to increase the height of pin | Sep.30,10' | Lijunhua |
| A2 | WPECR121026001 | Oct.26,12' | Fanny_qu |

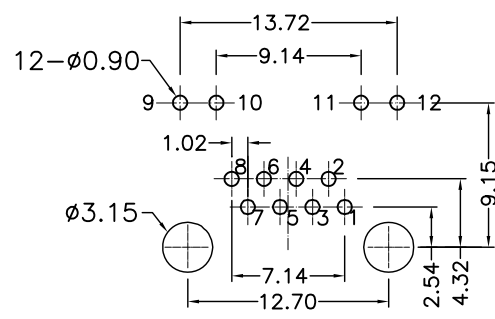


ELECTRICAL SPECIFICATION:

1. CURRENT RATING: 1.5 AMP.
2. VOLTAGE RATING: 150 VAC RMS.
3. INSULATION RESISTANCE: 500MΩ MIN @ 500 VDC.
4. CONTACT RESISTANCE: 30mΩ Max.
5. DIELECTRIC WITHSTANDING VOLTAGE: 1000 VAC/1MIN.
6. "▼" IS IMPORTANT CONTROL SIZE.

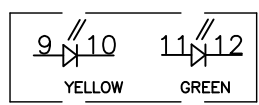


DETAIL A
SCALE 2



RECOMMENDED P.C.B LAYOUT TOP VIEW
(COMPONENT SIDE TOLERANCE±0.05)

RoHS COMPLIANT



LED PIN DEFINE

| ITEM | DESC | Q'TY |
|------|---|------|
| ④ | LED2:GREEN | 1 |
| ③ | LED1:YELLOW | 1 |
| ② | CONTACT:PHOSPHOR BRONZE GOLD/NICKEL PLATING | 8 |
| ① | HOUSING:HIGH-TEMPERATURE MATERIALS COLOCK:YELLOW (PT114C) | 1 |

| | | | | | | |
|---|--|---------------------------------|------------------|-----------------------|------------|---|
| <p>威納電子 WINPOINT ELECTRONIC CORP. www.winpoint.com.tw</p> | <p>Title 名稱 RJ45, WITH LED'S FLAT PIN, SIDE ENTRY JACK</p> | | | | | |
| | DR: 制圖 Fanny_qu | CHK'D 審核 Kenny_shi | APP'D 核准 Chen | REV. A2 | UNIT mm | SHEET 1/1 |
| PART NUMBER 威納料號 3250P2-8802-YG-YL-H1 | | CUSTOMER P/N 客戶料號 584044-001 | | DATE 日期 Oct.26,12' | | GENERAL TOLERANCE 一般公差 |
| DWG NO. 圖號 WP009-1307831-B | | FILENAME 路徑 WP/009 | | SCALE 比例 N/A | | <p>MM X.X = ±0.38 X.XX = ±0.25 X.XXX = ±0.05 UNLESS OTHERWISE SPECIFIED ANGULAR ±3°</p> |

A4

CUSTOMER DRAWING