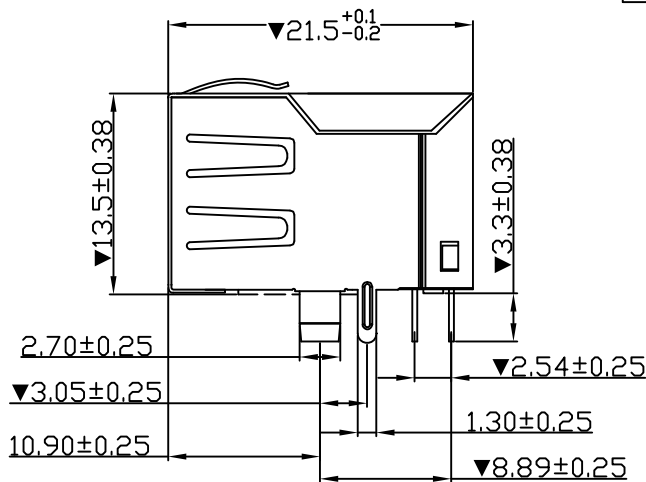
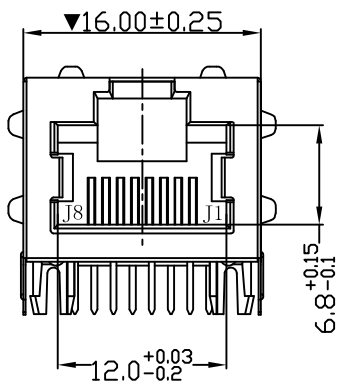


ENG.NO. W0111-1203329

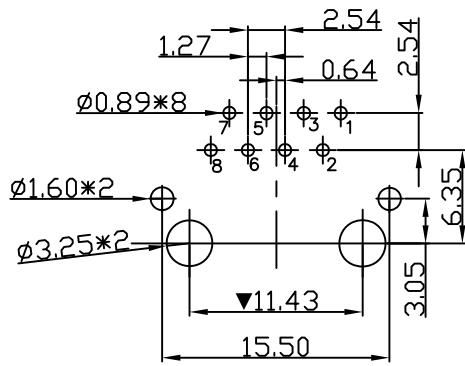
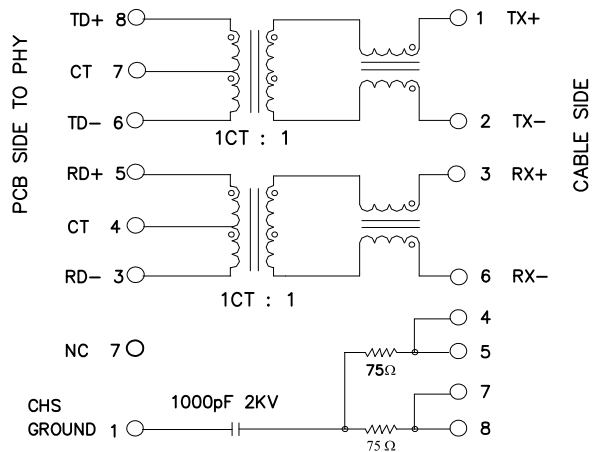
Winpoint
P/N:3250F3-8803003-BK

Rev 版次	Revision note 變更內容	Date 日期	DR 制圖
A4	Revise the details	Oct.08,13'	Fanny_qu
A5	Add size tolerance	Jul.17,15'	Fanny_qu



FEATURE:

1. COMPLIES WITH IEEE STANDARDS AND ALL 10/100 ETHERNET SPECIFICATIONS INCLUDING 350uH WITH 8mA DC BIAS
2. INTEGRATED MAG-MODULAR DESIGN PROVIDES HIGHER RELIABILITY AND CONSERVES MINIMIZING PCB SPACE
3. OPERATING TEMPERATURE: 0°C~70°C
4. STORAGE TEMPERATURE: -40°C~85°C
5. "▼" IS IMPORTANT CONTROL SIZE.
6. TIA-1096 COMPLIANCE



ELECTRICAL SPECIFICATIONS:(25°C)

1. TURNS RATIO: TX & Rx=1:1±5%	4. COMMON MODE REJECTION: @1~100MHz:-30dB Min @200MHz:-20dB Min
2. INSERTION LOSS: @1~80MHz:-1.0dB Max @100MHz:-1.5dB Max	5. CROSSTALK: @1~100MHz:-35dB Min
3. RETURN LOSS: @1~30MHz:-20dB Min @60~80MHz:-12dB Min	6. OCL:@100KHz,0.1V 8mA DC:350uH Min
	7. HI-POT:1200VAC,1mA,1Sec

PRODUCT INFORMATION:
3250F3- 88 XX00X -XX

RJ CONTACT PLATING CODE
03 : 3u" GOLD FLASH ON CONTACT AREA
06 : 06u" MIN. GOLD ON CONTACT AREA
10 : 10u" MIN. GOLD ON CONTACT AREA
15 : 15u" MIN. GOLD ON CONTACT AREA
30 : 30u" MIN. GOLD ON CONTACT AREA
50 : 50u" MIN. GOLD ON CONTACT AREA

INSULATOR COLOR
BK:BLACK(STANDARD)
YL:YELLOW

PANEL GROUND CODE
0 : NO PANEL GROUND
1 : WITH TOP PANEL GROUND
3 : WITH TOP,RIGHT&LEFT PANEL GROUND

RoHS COMPLIANT

威納電子 WINPOINT ELECTRONIC CORP. www.winpoint.com.tw		Title 名稱 RJ 45 CONNCTOR, 10/100 BASE, NO LED		DR: 制圖 Fanny_qu	CHK'D 審核 Kenny_shi	APP'D 核准 Chen	REV. 版本 A5	UNIT 單位 mm	SHEET 頁數 1/1
PART NUMBER 威納料號 3250F3-88XX00X-XX		CUSTOMER P/N 客戶料號 -		DATE 日期 Sep.24,13'		GENERAL TOLERANCE 一般公差 MM X.X = ±0.38 X.XX = ±0.25 X.XXX = ±0.10 UNLESS OTHERWISE SPECIFIED			
DWG NO. 圖號 WP009-1203394-B		FILENAME 路徑 WP/009		SCALE 比例 N/A		ANGULAR ±3°			