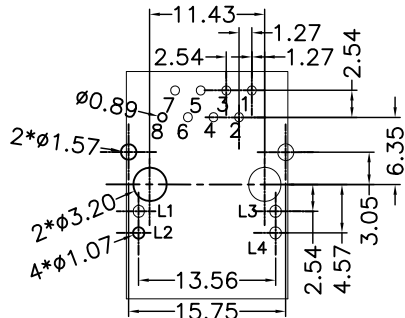
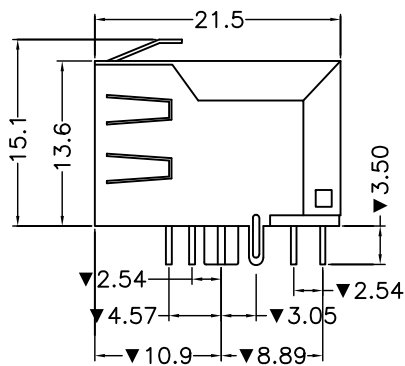
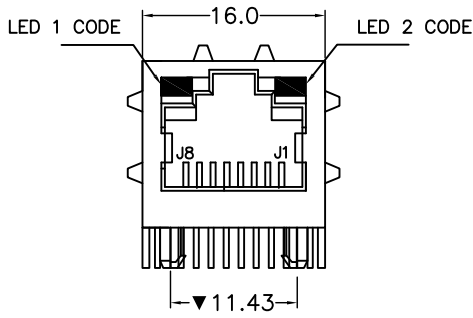


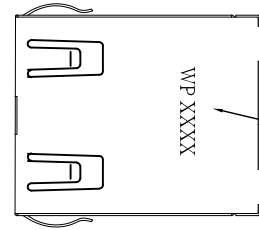
ENG.NO. W0028-1402020

Winpoint P/N:3250F8-8806GY3-BK
 CU P/N:DC234104101

Rev 版次	Revision note 變更內容	Date 日期	DR 制圖
A0	Original Release	Feb.27,09'	Kenny_shi
A1	Correct PIN definition	Feb.17,14'	Kenny_shi



PC Board Layout
 Component Side View



Years ex:13=2014
 week ex:01~52

**ELECTRICAL SPECIFICATIONS @ 25°C
 UNLESS OTHERWISE NOTED:**

INSERTION LOSS:1-100MHZ -1.0dB MAX
 RETURN LOSS:1-30MHZ -16.0dB MIN
 30-60MHZ -14.0dB MIN
 60-80MHZ -10.0dB MIN
 CROSS TALK:1-30MHZ -40.0dB MIN
 30-60MHZ -35.0dB MIN
 60-80MHZ -30.0dB MIN
 CMR: 1-100MHZ -35.0dB MIN
 HI-POT: 1500V AC 6S 1mA
 TURN RATIO:1CT:1CT+/-3%
 OCL:350uH MIN @ 100KHZ 100mV 8mA DC

FEATURE:

1. COMPLIES WITH IEEE STANDARDS AND ALL 10/100 ETHERNET SPECIFICATIONS INCLUDING 350uH WITH 8mA DC BIAS
2. INTEGRATED MAG-MODULAR DESIGN PROVIDES HIGHER RELIABILITY AND CONSERVES MINIMIZING PCB SPACE
3. OPERATING TEMPERATURE: -40°C~70°C
4. STORAGE TEMPERATURE: -40°C~85°C
- 5."▼" IS IMPORTANT CONTROL SIZE.
6. TIA-1096 COMPLIANCE

PRODUCT INFORMATION:

3250F8- 88 XX X X 3 -XX

PLATING CODE
 02 : GOLD FLASH PLATED
 06 : 06u" MIN. GOLD PLATED
 10 : 10u" MIN. GOLD PLATED
 15 : 15u" MIN. GOLD PLATED
 30 : 30u" MIN. GOLD PLATED
 50 : 50u" MIN. GOLD PLATED

INSULATOR COLOR
 BK:BLACK<STANDARD>
 YL:YELLOW

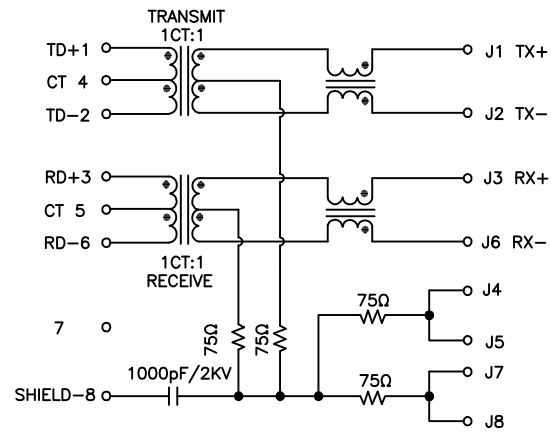
LED 2 CODE
 0 : W/O LED
 G : GREEN
 Y : YELLOW

LED 1 CODE
 0 : W/O LED
 G : GREEN
 Y : YELLOW

RoHS COMPLIANT

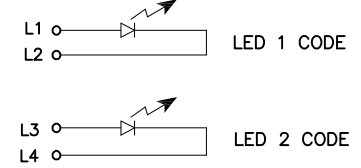
ITEM	DESC	Q'TY
⑤	SHELL:COPPER ALLOY NI PLATED	1
④	LED:COLOR SEE PART NO	2
③	FILTER:10/100 BASE	1
②	TERMINAL:PHOSPHOR BRONZE GOLD PLATED IN CONTACT AREA AND TIN PLATED IN SOLDER AREA	n
①	HOUSING:THERMOPLASTIC UL94V-0	1

PC BOARD CONNECTIONS(PCB SIDE)



Electrical Schematic

RJ45 CONNECTOR/CABLE SIDE



LED Specification

<p>威納電子 WINPOINT ELECTRONIC CORP. www.winpoint.com.tw</p>	Title 名稱 RJ 45 CONNECTOR, 10/100 BASE						
	DR:制圖 Fanny_qu	CHK'D 審核 Kenny_shi	APP'D 核准 Chen	REV. A1	UNIT mm	SHEET 1/2	
PART NUMBER 威納料號 3250F8-88XXXX3-XX		CUSTOMER P/N 客戶料號 -		DATE 日期 Feb.27,09'		GENERAL TOLERANCE 一般公差 MM X.X = ±0.38 X.XX = ±0.25 X.XXX = ±0.05 UNLESS OTHERWISE SPECIFIED	
DWG NO. 圖號 WP009-1402029-B		FILENAME 路徑 WP/009		SCALE 比例 N/A		ANGULAR ±3°	

A4

CUSTOMER DRAWING