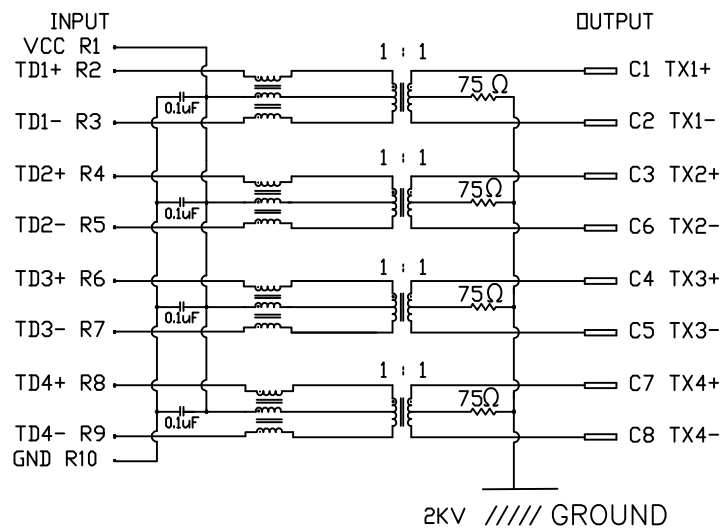
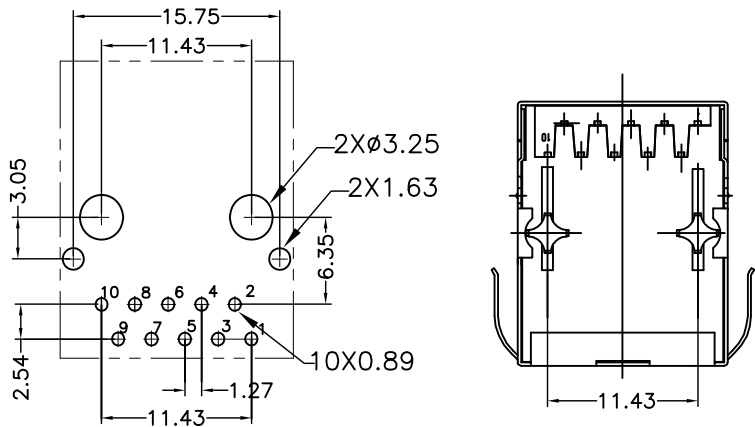
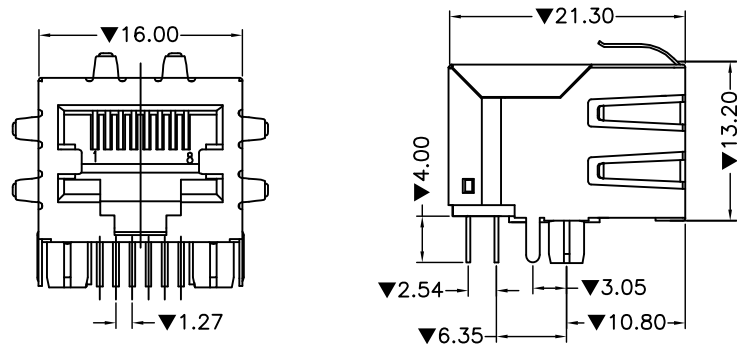


ENG.NO. W0028-1209408

Rev 版次	Revision note 變更內容	Date 日期	DR 制圖
A0	Original Release	May.27,09'	Xuzhihua



ELECTRICAL SPECIFICATIONS

Insertion Loss: 1-100MHZ -1.0dB MAX
 Return Loss: 1-30MHZ -16.0dB MIN
 30-60MHZ -14.0dB MIN
 60-80MHZ -10.0dB MIN
 Cross Talk: 1-30MHZ -40.0dB MIN
 30-60MHZ -35.0dB MIN
 60-80MHZ -30.0dB MIN
 CMR: 1-100MHZ -35.0dB MIN
 Hi-Pot: 1500v AC 6S 1mA
 Turn Ratio: 1CT:1CT+/-3%
 OCL: 350uH MIN @ 100KHZ 100mV 8mA DC
 INSULATION RESISTANCE: 100 MΩ. Min.
 CONTACT RESISTANCE: 50mΩ Max.
 OPERATING TEMPERATURE: -40°C~+85°C.
 "▼" IS IMPORTANT CONTROL SIZE.

PRODUCT INFORMATION:

3250T3 - 88 XX 003-BK

RJ CONTACT PLATING CODE

- 03 : 3u" GOLD FLASH
- 10 : 10u" MIN. GOLD
- 15 : 15u" MIN. GOLD
- 30 : 30u" MIN. GOLD

RoHS COMPLIANT

④	SHELL:COPPER ALLOY NI PLATED	1
③	CONTACTS:PHOSPHOR BRONZE GOLD PLATED	8
②	FILTER:1000 BASE	1
①	HOUSING:PA6T UL94V-0 BLACK	1
ITEM	DESC	Q'TY

<p>威納電子 WINPOINT ELECTRONIC CORP. www.winpoint.com.tw</p>	Title 名稱 RJ45 CONNECTOR 1000BASE					
	DR制圖 Fanny_qu	CHK'D 審核 Kenny_shi	APP'D 核准 Wang	REV. AO	UNIT mm	SHEET 1/1
PART NUMBER 威納料號 3250T3-8803-003-BK	CUSTOMER P/N 客戶料號 463152-121-00	DATE 日期 May.27,09'	GENERAL TOLERANCE 一般公差			
DWG NO. 圖號 WP009-1209599-B	FILENAME 路徑 WP/009	SCALE 比例 N/A	<p>ANGULAR ±3° UNLESS OTHERWISE SPECIFIED</p>			
			MM X.X = ±0.38 X.XX = ±0.25 X.XXX = ±0.05			

A4

CUSTOMER DRAWING