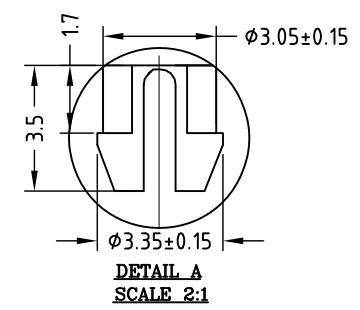
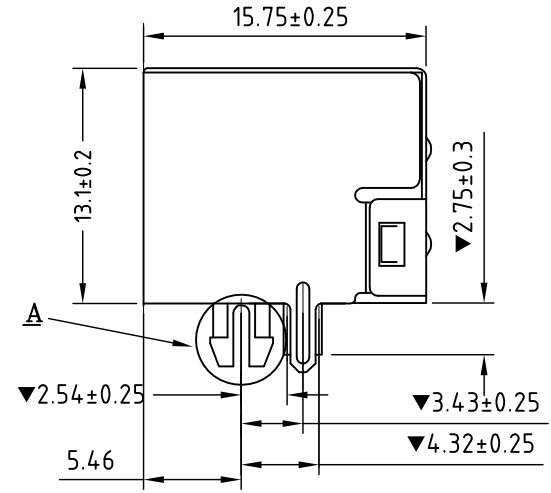
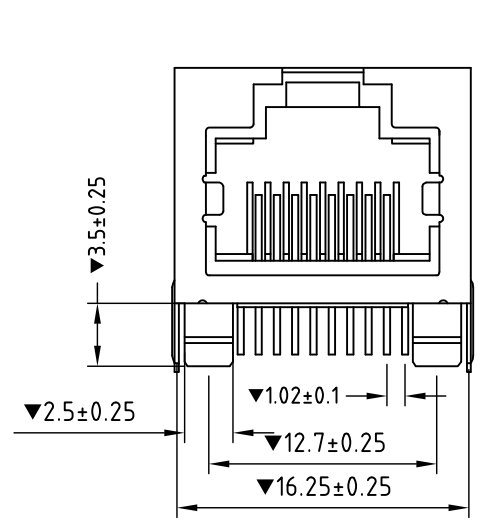


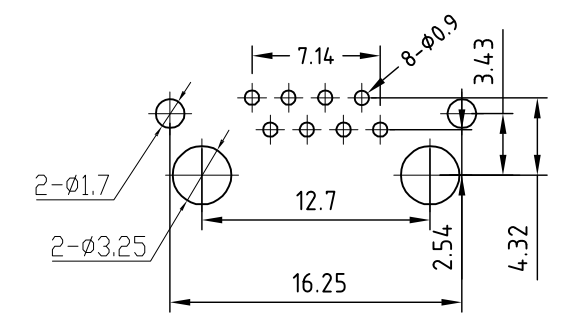
ENG.NO. W0006-1501014

Rev 版次	Revision note 變更內容	Date 日期	DR 制圖
A0	Original Release	Aug.18,07'	Fanny_qu

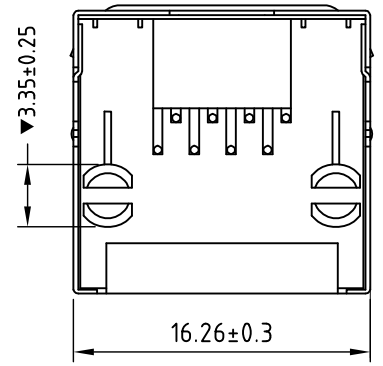


Electrical Specification:

1. Rated Voltage And Current: AC 125V , 1.5A Per Contact.
2. Insulation Resistance: 500 MΩ. Min.
3. Contact Resistance: 50mΩ Max.
4. Operating Temperature: -40°C~+85°C.
- 5."▼" Is Important Control Size.



Recommendation P.C.B Layout



Ordering information:

3250P- 88 XX000- XX

INSULATOR COLOR
BK:BLACK(STANDARD)
YL:YELLOW

PLATING CODE

- 02 : GOLD FLASH PLATED
- 03 : 03u" MIN. GOLD PLATED
- 06 : 06u" MIN. GOLD PLATED
- 10 : 10u" MIN. GOLD PLATED
- 15 : 15u" MIN. GOLD PLATED
- 30 : 30u" MIN. GOLD PLATED

RoHS COMPLIANT

③	Shield: 0.25mm Thick Copper Alloy Plated With Tin
②	Contacts: 0.35mm Phosphor Bronze Gold Plated And 100u" Tin Plated IN Solder Aea.
①	Housing:Plastic Material UL94V-0
ITEM	DESC

威納電子 WINPOINT ELECTRONIC CORP. www.winpoint.com.tw		Title 名稱 RJ45 CONNECTOR						
DR: 制圖 Fanny_qu		CHK'D 審核 Kenny_shi		APP'D 核准 Chen		REV. AO	UNIT mm	SHEET 1/1
PART NUMBER 威納料號 3250P- 8806000-YL		CUSTOMER P/N 客戶料號 XXXXX		DATE 日期 Aug.18,07'		GENERAL TOLERANCE 一般公差 MM X.X = ±0.38 X.XX = ±0.25 X.XXX = ±0.05		
DWG NO. 圖號 WP009-1501270-B		FILENAME 路徑 WP/009		SCALE 比例 N/A		ANGULAR ±3° UNLESS OTHERWISE SPECIFIED		

A4

CUSTOMER DRAWING