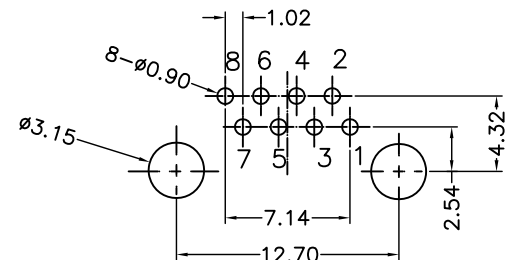
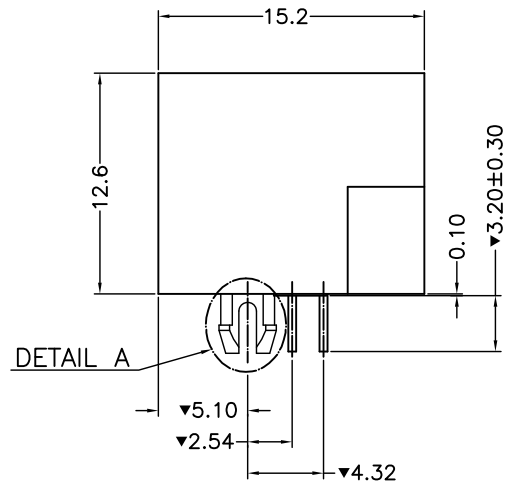
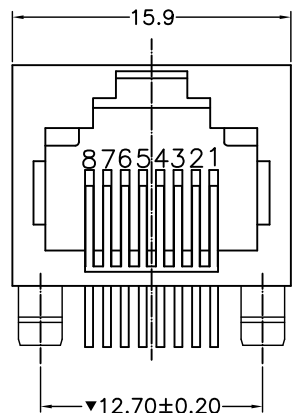
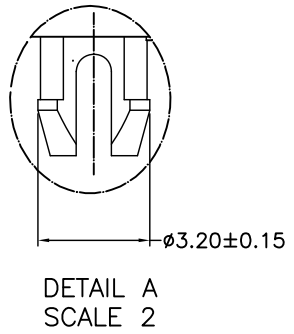
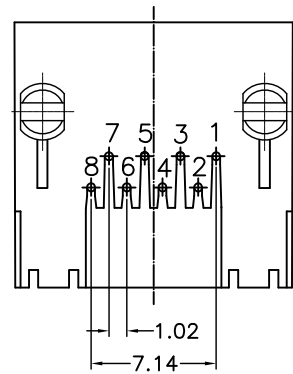


ENG.NO. W0012-1501019

Rev 版次	Revision note 變更內容	Date 日期	DR 制圖
A0	Original Release	Aug.27,13'	Chenyq



Recommended P.C.B layout
(Component Side Tolerance±0.05)



ELECTRICAL SPECIFICATION:

1. Rated Voltage And Current: Ac 150v Max, 1.5A Per Contact.
2. Insulation Resistance: 500 MΩ. Min.
3. Contact Resistance: 30mΩ Max.
4. Dielectric Withstanding Voltage: 1000V/AC.
5. "▼" Is Important Control Size.

Ordering information:

3250H-8 X 000 X 1

Contact Plated
 2 - Gold Flash
 A - 10u" Gold
 B - 15u" Gold
 C - 30u" Gold

Housing Color
 Y:Yellow
 K:Black
 R:Gray
 G:Green

RoHS COMPLIANT

②	Contact: Phosphor Bronze C51000,ø0.46mm	8
①	Housing: PA46,UL94V-0 Color:See Part No.	1
ITEM	DESC	Q'TY

威納電子 WINPOINT ELECTRONIC CORP. www.winpoint.com.tw	Title 名稱 RJ 45 8P8C Connector					
	DR: 制圖 Chenyq	CHK'D 審核 Kenny_shi	APP'D 核准 Chen	REV. AO	UNIT mm	SHEET 1/1
PART NUMBER 威納料號 Refer to ordering info	CUSTOMER P/N 客戶料號 -	DATE 日期 Aug.27,13'	GENERAL TOLERANCE 一般公差 MM X.X = ±0.38 X.XX = ±0.25 X.XXX = ±0.05 UNLESS OTHERWISE SPECIFIED			
DWG NO. 圖號 WP009-1501282-B	FILENAME 路徑 WP/009	SCALE 比例 N/A	ANGULAR ±3°			