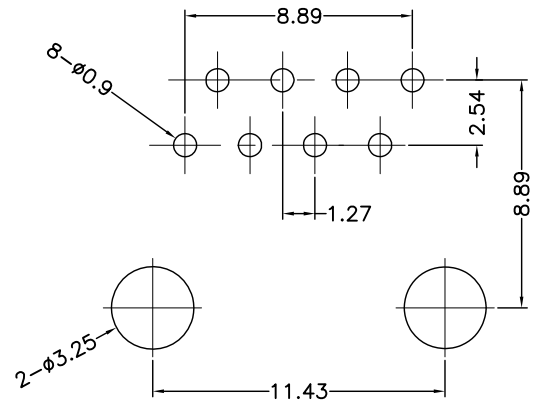
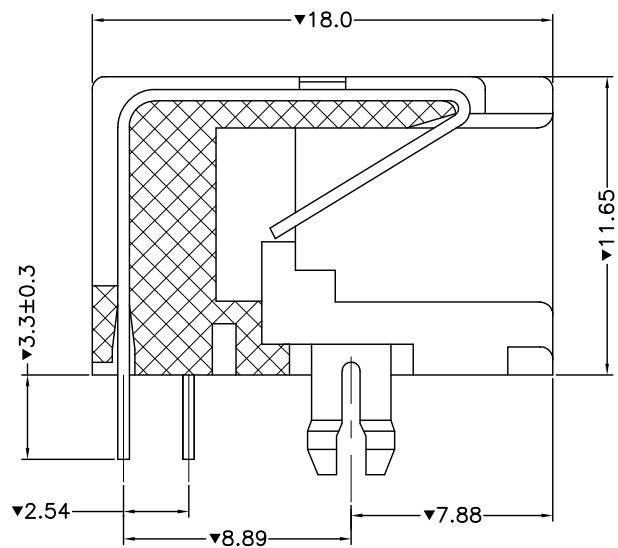
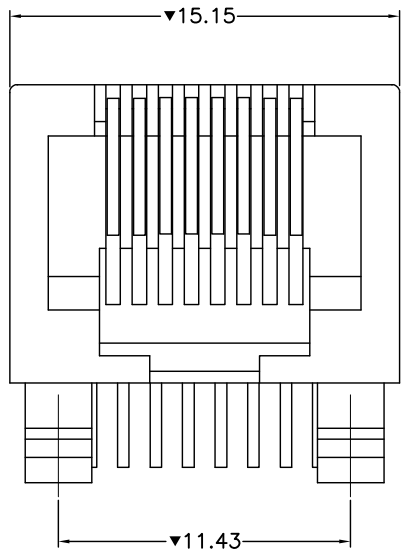


ENG.NO. W0006-1501020

| Rev 版次 | Revision note 變更內容 | Date 日期 | DR 制圖 |
|--------|--------------------|------------|--------|
| A0 | Original Release | Oct.27,13' | Chenyq |



Recommended P.C.B layout

ELECTRICAL SPECIFICATION:

1. Rated Voltage And Current: Ac 125v Max, 1.5A Per Contact.
2. Insulation Resistance: 500 MΩ. Min.
3. Contact Resistance: 30mΩ Max.
4. Dielectric Withstanding Voltage: 1000V/AC.
5. Operating Temperature: -40°C~+70°C.
6. "▼" Is Important Control Size.
7. Durability: 600 Cycles.

Ordering information:

3250P5-8 X 000 X 1
 Contact Plated
 2 - Gold Flash
 A - 10u" Gold
 B - 15u" Gold
 C - 30u" Gold
 Housing Color
 Y:Yellow
 K:Black
 R:Gray
 G:Green

RoHS COMPLIANT

| ITEM | DESC | Q'TY |
|------|---------------------------------------------------------|------|
| ② | Contact:ø0.45mm Phosphor Bronze Gold Plated over Nickel | 8 |
| ① | Housing: PBT UL94V-0 Color See Part No. | 1 |

| | | | | | | | |
|----------------------------------------------------------|------------------------------|------------------------|------------------|-----------------------|---------|---------------------------------------------------------------------------------------------------------|--|
| 威納電子 WINPOINT ELECTRONIC CORP. www.winpoint.com.tw | Title 名稱 RJ45 8P8C Connector | | | | | | |
| | DR: 制圖 Chenyq | CHK'D 審核 Kenny_shi | APP'D 核准 Chen | REV. AO | UNIT mm | SHEET 1/1 | |
| PART NUMBER 威納料號 Refer to ordering info | | CUSTOMER P/N 客戶料號 - | | DATE 日期 Oct.27,13' | | GENERAL TOLERANCE 一般公差 MM X.X = ±0.38 X.XX = ±0.25 X.XXX = ±0.05 UNLESS OTHERWISE SPECIFIED | |
| DWG NO. 圖號 WP009-1501283-B | | FILENAME 路徑 WP/009 | | SCALE 比例 N/A | | ANGULAR ±3° | |

A4

CUSTOMER DRAWING