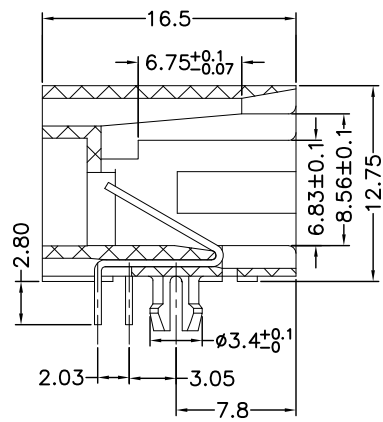
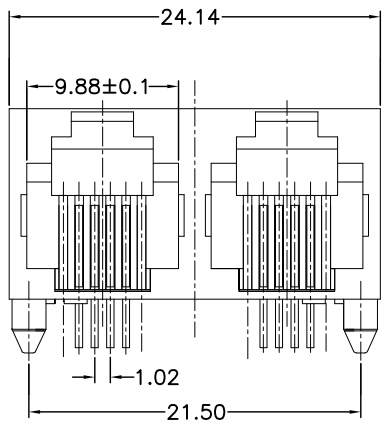


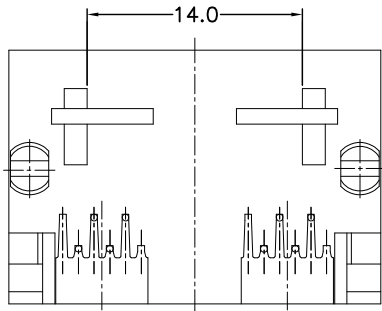
ENG.NO. W0147-1503027

Rev 版次	Revision note 變更內容	Date 日期	DR 制圖
A0	Original Release	Dec.20,12'	Fanny_qu



ELECTRICAL SPECIFICATION:

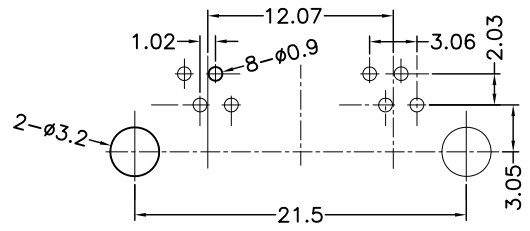
1. Rated Voltage And Current: AC 125V Max, 0.5A Per Contact.
2. Insulation Resistance: 500 MΩ. Min.
3. Contact Resistance: 30mΩ Max.
4. Dielectric Withstanding Voltage: 1000V/AC.
5. Operating Temperature: -40°C~+70°C.
6. "▼" Is Important Control Size.
7. Durability: 750 Cycles.



Product Information:

3250H- 64 X X 01

- NO. of Contact
- 2 : 2C
 - 4 : 4C
 - 6 : 6C
- Hosing Color
- R : Gray
 - K : Black
 - G : Green
 - R : Red
- Contact Plated
- 2 - Gold Flash
 - A - 10u" Gold
 - B - 15u" Gold
 - C - 30u" Gold



Recommended P.C.B layout

RoHS COMPLIANT

②	Contact:Copper Alloy Gold Plated over Nickel	8
①	Housing:Thermoplastic Plastic UL94V-0 Color See Part No.	1
ITEM	DESC	Q'TY

<p>威納電子 WINPOINT ELECTRONIC CORP. www.winpoint.com.tw</p>	Title 名稱 RJ45 6P4Cx2 Connector						
	DR: 制圖 Fanny_qu	CHK'D 審核 Kenny_shi	APP'D 核准 Chen	REV. AO	UNIT mm	SHEET 1/1	
PART NUMBER 威納料號 3250H-64XX01		CUSTOMER P/N 客戶料號 -		DATE 日期 Dec.20,12'		GENERAL TOLERANCE 一般公差	
DWG NO. 圖號 WP009-1503299-B		FILENAME 路徑 WP/009		SCALE 比例 N/A		<p>ANGULAR ±3°</p>	
							<p>MM X.X = ±0.38 X.XX = ±0.25 X.XXX = ±0.05 UNLESS OTHERWISE SPECIFIED</p>

A4

CUSTOMER DRAWING