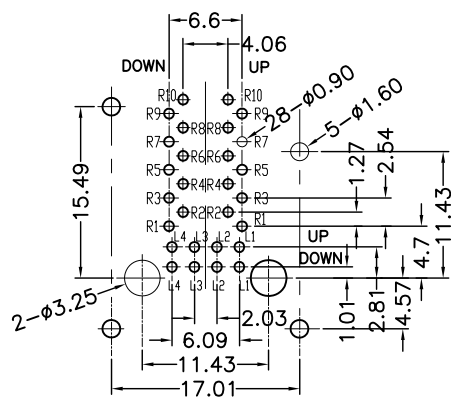
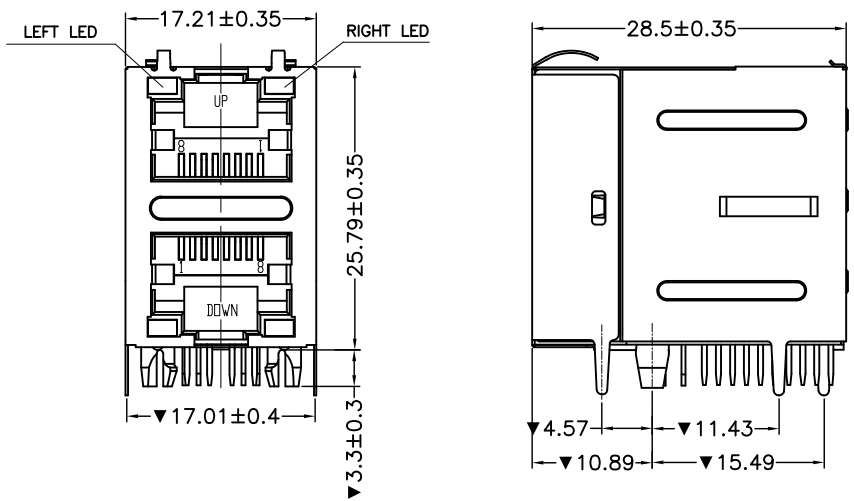


ENG.NO. W0028-1507067

Rev 版次	Revision note 變更內容	Date 日期	DR 制圖
A0	Original Release	Aug.28,14'	Chenyq



Recommended PCB layout

Ordering information:

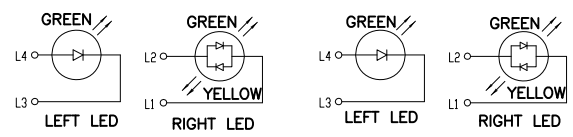
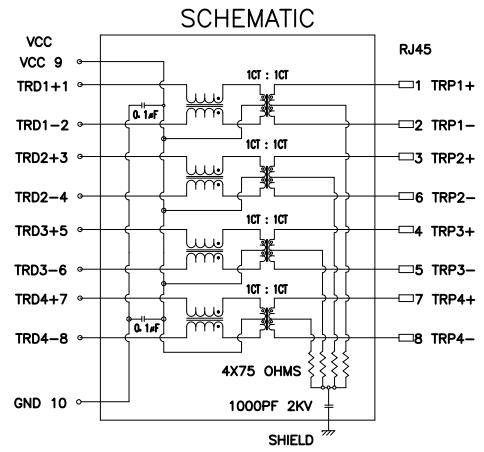
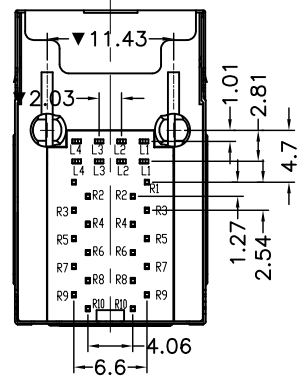
3250T2- 8 X GT1 X A

PLATING CODE
 2 : GOLD FLASH PLATED
 3~9 : 3~9u" MIN. GOLD PLATED
 A : 10u" MIN. GOLD PLATED
 B : 15u" MIN. GOLD PLATED
 C : 30u" MIN. GOLD PLATED
 D : 50u" MIN. GOLD PLATED

INSULATOR COLOR
 K:BLACK(STANDARD)
 Y:YELLOW
 G:GREEN
 W:WHITIE

ELECTRICAL SPECIFICATION:

- Operating temperature:400°C To +80°C
- Turns Ratio:1CT:1CT 3%
- Inductance(OCL):350uH MIN With 8mA DC Bias
- Insertion Loss:1-100MHz-1.0dB MAX.
- Return Loss(Z out=100 OHM):1MHz-10MHz:-18dB MIN
 10MHz-30MHz:-16dB MIN
 30MHz-60MHz: -14dB MIN
 60MHz-80MHz: -12dB MIN
 80MHz-100MHz: -10dB MIN
- Crosstalk(Adjacent channels):1-100MHz:-35dB MIN
- Common Mode Rejection Ratio:1-100MHz:-35dB MIN
- Hi-Pot:1500V AC 1mA 6S
- Capacitor:1000pF+/-20% 2KV
- Resistance:75 OHMS+/-5%
- RESISTANCE OF COIL: 1.80HMS MAX 0.25 OHMS MIN
- "▼" Is Important Control Size



Standard LED	Wavelength	Forward*(MAX)	TYP
Green/Yellow	585nm	2.5V	2.1V
Green	565nm	2.5V	2.2V

Bias current=20mA

⑤ LED	4
④ Filter:100/1000 Base	2
③ Contact: Phosphor Bronze,Gold/Tin Plated	20
② Housing:PBT+30% Glass Fiber,UL94U-V0	1
① Shield:Brass,Nickel Plated	1
ITEM	DESC Q'TY

<p>威納電子 WINPOINT ELECTRONIC CORP. www.winpoint.com.tw</p>	Title 名稱 RJ 45 2X1 CONNECTOR THROUGH HOLE 100/1000 BASE						
	DR: 制圖 Chenyq	CHK'D 審核 Kenny_shi	APP'D 核准 Chen	REV. AO	UNIT mm	SHEET 1/1	
PART NUMBER 威納料號 Refer to ordering info		CUSTOMER P/N 客戶料號 -		DATE 日期 Aug.28,14'		GENERAL TOLERANCE 一般公差 MM X.X ±0.38 X.XX ±0.25 X.XXX ±0.05 UNLESS OTHERWISE SPECIFIED	
DWG NO. 圖號 WP009-1506374-B		FILENAME 路徑 WP/009		SCALE 比例 N/A		ANGULAR ±3°	

RoHS COMPLIANT