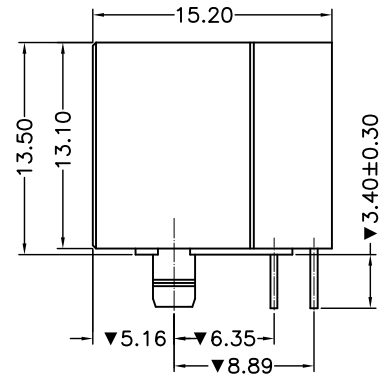
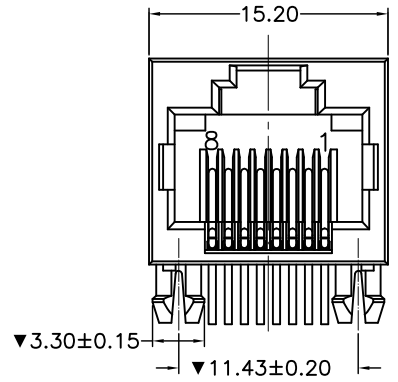


ENG.NO. W0012-1507068

Rev 版次	Revision note 變更內容	Date 日期	DR 制圖
A0	Original Release	Aug.20,13'	Fanny_qu



ELECTRICAL SPECIFICATION:

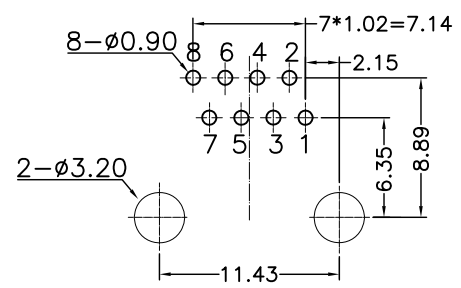
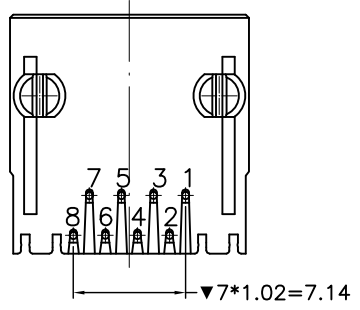
1. CURRENT RATING: 1.5 AMP.
2. VOLTAGE RATING: 150 VAC RMS.
3. INSULATION RESISTANCE: 500MΩ MIN @ 500 VDC.
4. CONTACT RESISTANCE: 30mΩ Max.
5. DIELECTRIC WITHSTANDING VOLTAGE: 1000 VAC/1MIN.
6. "▼" IS IMPORTANT CONTROL SIZE.

Ordering information:

3250P-8 X 000 X 1

INSULATOR COLOR
 K:BLACK
 Y:YELLOW
 G:GREEN
 E:GREY

Contact Plated
 2 - Gold Flash
 5 - 5U" Gold
 A - 10u" Gold
 B - 15u" Gold
 C - 30u" Gold



Recommended P.C.B Layout
 Top View

RoHS COMPLIANT

②	Contact:C51000 ∅0.46MM Gold Plating	8
①	Housing:PA46 UL94V-0 Color:See Part No.	1
ITEM	DESC	Q'TY

威納電子 WINPOINT ELECTRONIC CORP. www.winpoint.com.tw	Title 名稱 RJ45 Connector					
	DR: 制圖 Fanny_qu	CHK'D 審核 Kenny_shi	APP'D 核准 Chen	REV. AO	UNIT mm	SHEET 1/1
PART NUMBER 威納料號 Refer to ordering info	CUSTOMER P/N 客戶料號 -	DATE 日期 Aug.20,13'	GENERAL TOLERANCE 一般公差 MM X.X = ±0.38 X.XX = ±0.25 X.XXX = ±0.05 UNLESS OTHERWISE SPECIFIED			
DWG NO. 圖號 WP009-1506375-B	FILENAME 路徑 WP/009	SCALE 比例 N/A	ANGULAR ±3°			