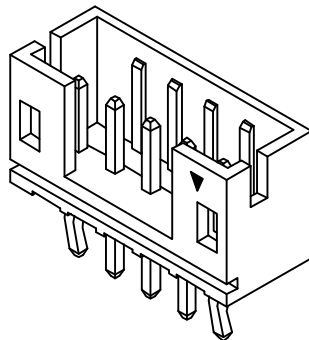
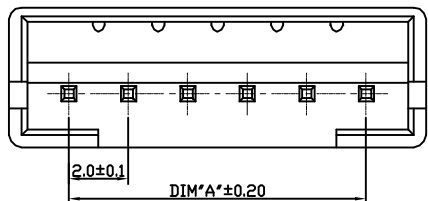


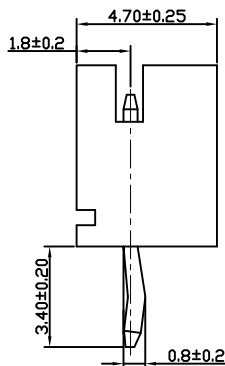
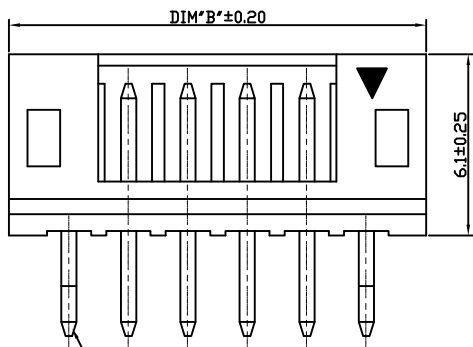
ENG.NO. XXXXXX

Rev 版次	Revision note 變更內容	Date 日期	DR 制圖
A0	Original Release	Jan.09,08'	Xuzhuhua



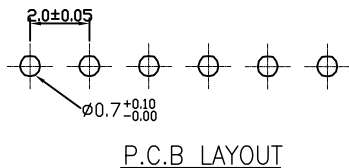
SPECIFICATIONS:

1. CURRENT RATING:2A AC,DC
2. VOLTAGE RATING:100V AC,DC
3. CONTACT RESISTANCE:10mΩ MAX
4. WITHSTANDING VOLTAGE:800V AC/MINUTE
5. INSULATION RESISTANCE:1000mΩ MIN
6. TEMPERATURE RANGE:-25°C TO +85°C
7. PIN MATERIAL:BRASS/TIN PLATED
8. INSULATOR MATERIAL:PA66,UL94V-0



Ordering Information & Dimensions:

PART NO	DIM A	DIM B	PART NO	DIM A	DIM B
A2001WV-2PX	2.00	6.00	A2001WV-11PX	20.00	24.00
A2001WV-3PX	4.00	8.00	A2001WV-12PX	22.00	26.00
A2001WV-4PX	6.00	10.00	A2001WV-13PX	24.00	28.00
A2001WV-5PX	8.00	12.00	A2001WV-14PX	26.00	30.00
A2001WV-6PX	10.00	14.00	A2001WV-15PX	28.00	32.00
A2001WV-7PX	12.00	16.00	A2001WV-16PX	30.00	34.00
A2001WV-8PX	14.00	18.00	A2001WV-17PX	32.00	36.00
A2001WV-9PX	16.00	20.00	A2001WV-18PX	34.00	38.00
A2001WV-10PX	18.00	22.00			



PRODUCT INFORMATION:

A2001WV-XXPX
NO.OF CONTACT: 02 TO 20 CONTACT
COLOR: B:BROWN
BLANK:WHITE

RoHS COMPLIANT

威納電子 WINPOINT ELECTRONIC CORP. www.winpoint.com.tw		Title 名稱 2.00mm PITCH 180° WAFER				
DR: 制圖 Xuzhuhua	CHK'D 審核 XiaoTai	APP'D 核准 Wang	REV. AO	UNIT mm [INCH]	SHEET 1/1	
PART NUMBER 威納料號 A2001WV-XPX		CUSTOMER P/N 客戶料號 V22A00086200		DATE 日期 Jan.09,08'		
DWG NO. 圖號 WP003-1007045-B		FILENAME 路徑 WP/003		SCALE 比例 N/A		
GENERAL TOLERANCE 一般公差			ANGULAR ±3° UNLESS OTHERWISE SPECIFIED			