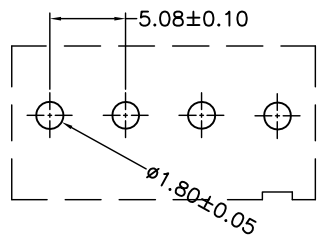
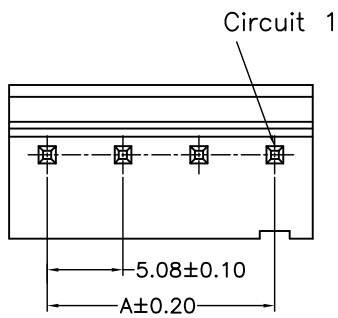


ENG.NO. W0007-1503038

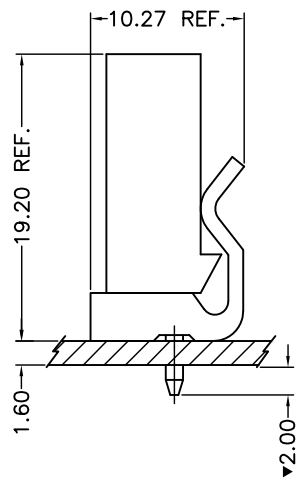
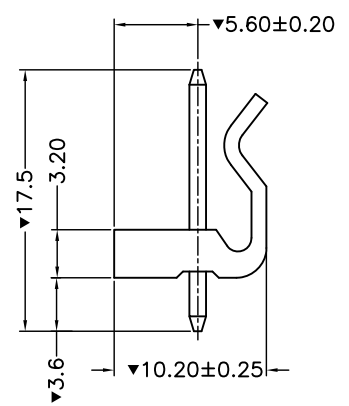
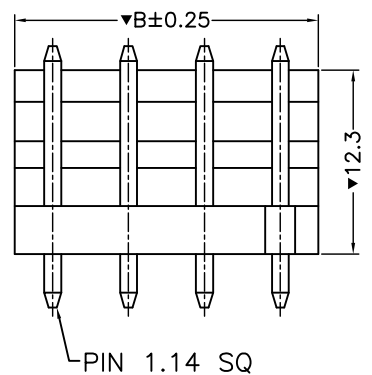
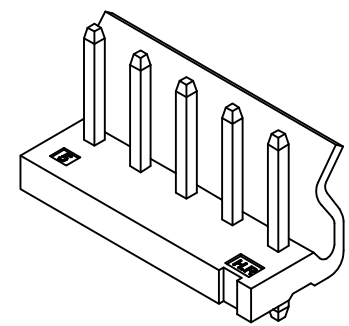
Rev 版次	Revision note 變更內容	Date 日期	DR 制圖
A0	Original Release	Aug.09,14'	Chenyq



Ordering information:

A5081WV-XXP

No.Of Circuits
02~20P



RoHS COMPLIANT

Circuit No.	Dimensions		Circuit No.	Dimensions	
	A	B		A	B
02P	5.08	10.16	12P	55.88	60.96
03P	10.16	15.24	13P	60.96	66.04
04P	15.24	20.32	14P	66.04	71.12
05P	20.32	25.40	15P	71.12	76.20
06P	25.40	30.48	16P	76.20	81.28
07P	30.48	35.56	17P	81.28	86.36
08P	35.56	40.64	18P	86.36	91.44
09P	40.64	45.72	19P	91.44	96.52
10P	45.72	50.80	20P	96.52	101.60
11P	50.80	55.88			

ELECTRICAL SPECIFICATION:

- Rated Voltage And Current: Ac 250v Max, 7A Per Contact.
- Insulation Resistance: 1000 MΩ. Min.
- Contact Resistance: 10mΩ Max.
- Dielectric Withstanding Voltage: 1500V/AC.
- Operating Temperature: -25°C~+85°C.
- 6."▼" Is Important Control Size.

②	Terminal:Brass,Tin Plated	n
①	Insulator:Nylon 66 UL 94V-0 White	1
ITEM	DESC	Q'TY

<p>威納電子 WINPOINT ELECTRONIC CORP. www.winpoint.com.tw</p>	Title 名稱 5.08 Pitch 180° Wafer					
	DR: 制圖 Chenyq	CHK'D 審核 Kenny_shi	APP'D 核准 Chen	REV. AO	UNIT mm	SHEET 1/1
PART NUMBER 威納料號 Refer to ordering info	CUSTOMER P/N 客戶料號 -	DATE 日期 Aug.09,14'	GENERAL TOLERANCE 一般公差			
DWG NO. 圖號 WP009-1503324-B	FILENAME 路徑 WP/009	SCALE 比例 N/A	<p>MM X.X = ±0.38 X.XX = ±0.25 X.XXX = ±0.05 UNLESS OTHERWISE SPECIFIED</p>			

A4

CUSTOMER DRAWING