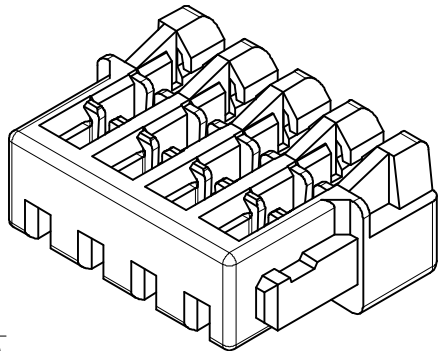
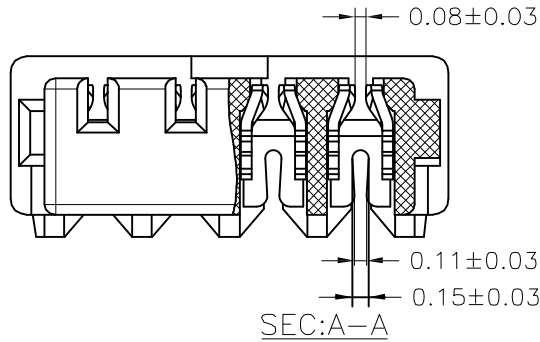
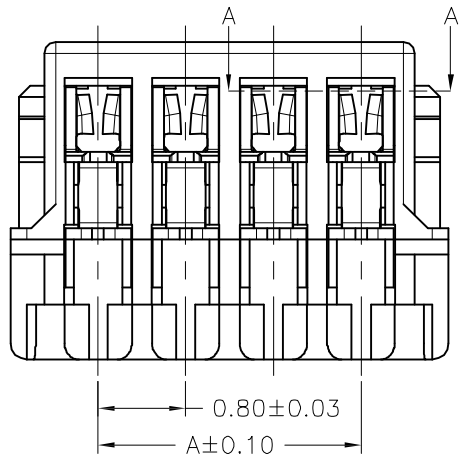
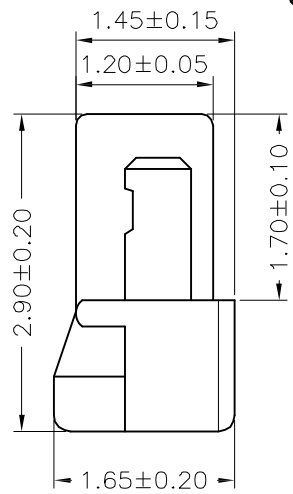


ENG.NO. W0007-1103175

Rev 版次	Revision note 變更內容	Date 日期	DR 制圖
A/0	Original Release	Feb.07,06'	Xueqiu
A/1	Modify Dimension Tolerance	Oct.15,13'	Kenny_shi
A/2	Increase the cavity no.	Dec.24,13'	Kenny_shi

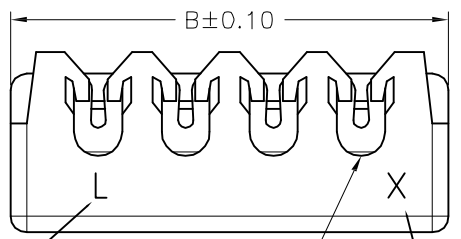


**SPECIFICATIONS**  
 Current Rating: 0.5A AC,DC  
 Voltage Rating: 30V AC,DC  
 Temperature Range: -25°C ~ +85°C  
 Contact Resistance: 20mΩ Max.  
 Insulation Resistance: 100MΩ Min.  
 Withstanding Voltage: 200V AC/minute  
 Contacts: Phosphor Bronze/Gold-plated  
 Material: Nylon, UL94V-0  
 Color: Natural



**Ordering Information & Dimensions**

PART NO.	Dimensions	
	A	B
A0800HI-02P	0.80	2.40
A0800HI-03P	1.60	3.20
A0800HI-04P	2.40	4.00
A0800HI-05P	3.20	4.80
A0800HI-06P	4.00	5.60
A0800HI-07P	4.80	6.40
A0800HI-08P	5.60	7.20
A0800HI-09P	6.40	8.00
A0800HI-10P	7.20	8.80
A0800HI-12P	8.80	10.40
A0800HI-14P	10.40	12.00
A0800HI-15P	11.20	12.80
A0800HI-16P	12.00	13.60
A0800HI-17P	12.80	14.40
A0800HI-20P	15.20	16.80



Mold No.      Circuit 1      Cavity No.

**NOTES:**  
 Applicable Wire: AWG#32  
 Insulation O.D.: 0.38mm

RoHS COMPLIANT

<b>威納電子</b> WINPOINT ELECTRONIC CORP. www.winpoint.com.tw	<b>Title 名稱</b> 0.80mm PITCH IDC HOUSING	
	<b>DR 制圖</b> Xueqiu	<b>CHK'D 檢驗</b> Xiaotao
<b>PART NUMBER 威納料號</b> A0800HI-XP	<b>CUSTOMER P/N 客戶料號</b> -	<b>CUSTOMER 客戶</b> -
<b>DWG NO. 圖號</b> WP009-1103956-B	<b>FILENAME 路徑</b> WP/009	<b>SCALE 比例</b> N/A
<b>GENERAL TOLERANCE 一般公差</b> MM X.X = ±0.38 X.XX = ±0.15 X.XXX = ±0.05		<b>ANGULAR ±3°</b> UNLESS OTHERWISE SPECIFIED