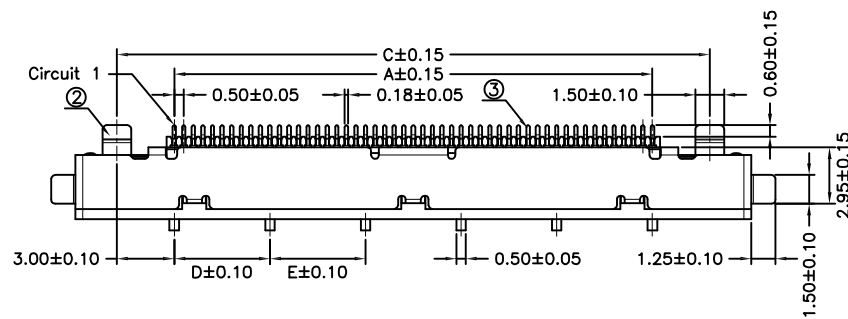
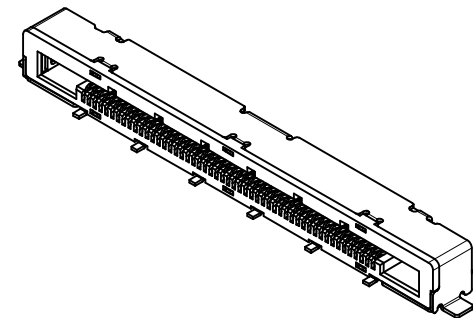
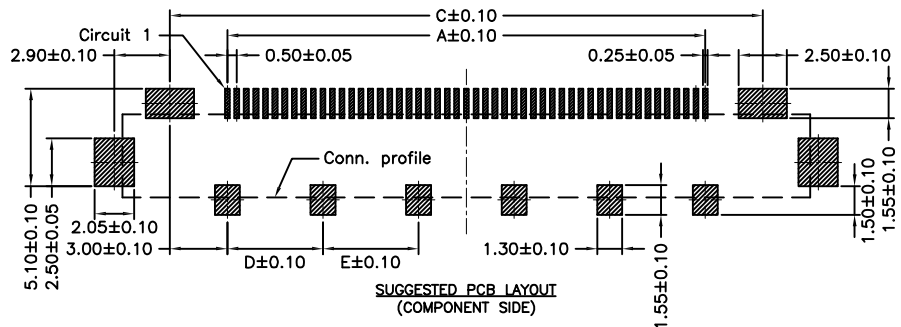


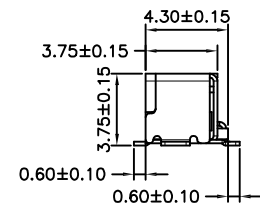
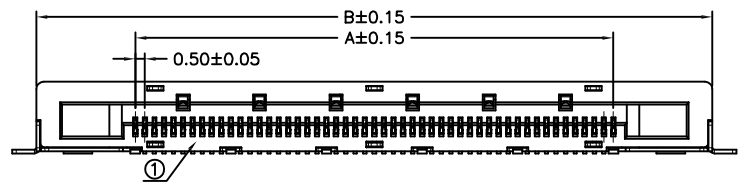
ENG.NO. W0007-1103174

Rev 版次	Revision note 變更內容	Date 日期	DR 制圖
A0	Original Release	Mar/21/08	YangRL



ELECTRICAL SPECIFICATION:

- CURRENT RATING: 0.7A AC/DC
- VOLTAGE RATING: 100V AC/DC
- INSULATION RESISTANCE: 100MΩ Min.
- CONTACT RESISTANCE: 50mΩ Max.
- DIELECTRIC WITHSTANDING VOLTAGE: 500V AC/MINUTE.
- PIN: GOLD-PLATED 3U" ON CONTACT AREA
TIN-PLATED ON SOLDER AREA
- OPERATING TEMPERATURE: -25°C~+85°C.



RoHS COMPLIANT

PART NO.	DIMENSIONS				
	A	B	C	D	E
A0505WR-S-21P	10.00	20.35	16.00	3.00	---
A0505WR-S-31P	15.00	25.35	21.00	4.00	---
A0505WR-S-41P	20.00	30.35	26.00	4.00	4.00
A0505WR-S-51P	25.00	35.35	31.00	5.00	5.00

③	CONTACT:PHOSPHOR BRONZE	---
②	SHELL:PHOSPHOR BRONZE,TIN-PLATED	1
①	HOUSING:LCP,UL94V-0,NATURAL(BLACK)	1
ITEM	DESC	Q'TY

<p>威納電子 WINPOINT ELECTRONIC CORP. www.winpoint.com.tw</p>	Title 名稱		0.50mm PITCH 90° WAFER-SMT TYPE			
	DR: 制圖	CHK'D 審核	APP'D 核准	REV.	UNIT	SHEET
PART NUMBER 威納料號		CUSTOMER P/N 客戶料號		DATE 日期	GENERAL TOLERANCE 一般公差	
A0505WR-S-XXP		-		Mar/21/08	MM .XX = ±0.38 .XXX = ±0.18 X.XXX = ±0.05 INCH .XX = ±0.015 .XXX = ±0.007 XXX = ±0.0020 UNLESS OTHERWISE SPECIFIED	
DWG NO. 圖號	FILENAME 路徑	SCALE 比例	ANGULAR ±3°			
WP009-1103955-B	WP/009	N/A				