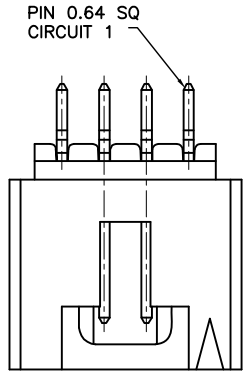


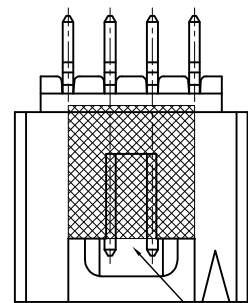
ENG.NO. W0007-1310966

ROHS COMPLIANT

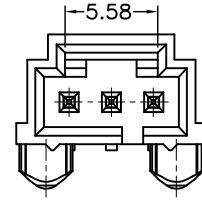
Rev 版次	Revision note 變更內容	Date 日期	DR 制圖
A0	Original Release	Apr.10,06'	Fanny_qu



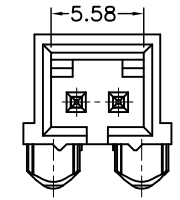
(TOP VIEW)



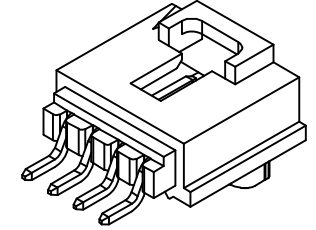
KAPTON TAPE(FOR PICK AND PLACE SYSTEMS)



03P

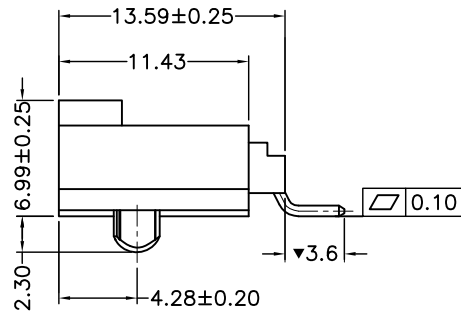
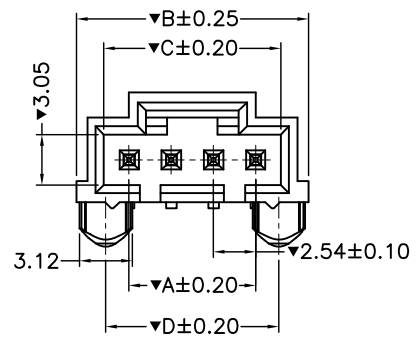


02P



**ELECTRICAL SPECIFICATION:**

1. Current Rating: 3A AC,DC
2. Voltage Rating:250V AC,DC
3. Insulation Resistance: 1000 MΩ. Min.
4. Contact Resistance: 20mΩ Max.
5. Dielectric Withstanding Voltage: 1500V/AC.
6. Operating Temperature: -25°C~+85°C.
- 7."▼" Is Important Control Size.

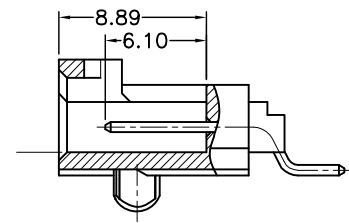


**PRODUCT INFORMATION:**

A2541WR-SF-XXP

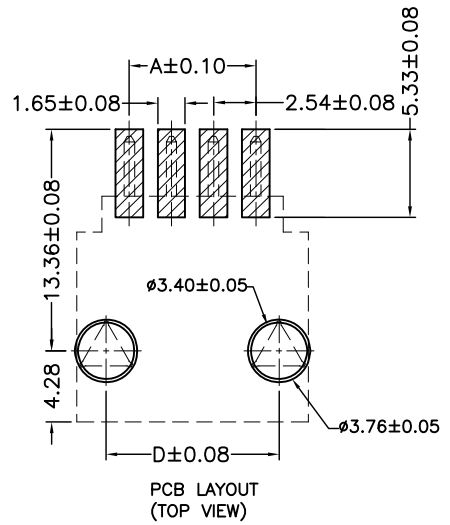
Right angle

No.Of Circuits



Circuit No.	Dimensions			
	A	B	C	D
A2541WR-SF-02P	2.54	8.89	/	5.33
A2541WR-SF-03P	5.08	11.43	8.12	7.87
A2541WR-SF-04P	7.62	13.97	10.66	10.41
A2541WR-SF-05P	10.16	16.51	13.20	12.95
A2541WR-SF-06P	12.70	19.05	15.74	15.49
A2541WR-SF-07P	15.24	21.59	18.28	18.03
A2541WR-SF-08P	17.78	24.13	20.82	20.57
A2541WR-SF-09P	20.32	26.67	23.36	23.11
A2541WR-SF-10P	22.86	29.21	25.90	25.65
A2541WR-SF-11P	25.40	31.75	28.44	28.19
A2541WR-SF-12P	27.94	34.29	30.98	30.73

②	HOUSING:NYLON 6T UL94V-0	1
①	CONTACT:BRASS GOLD PLATING	n
ITEM	DESC	Q'TY



PCB LAYOUT (TOP VIEW)

<p>威納電子 WINPOINT ELECTRONIC CORP. www.winpoint.com.tw</p>	<p>Title 名稱 2.54MM PITCH 90° WAFER-SMT</p>					
	DR: 制圖 Fanny_qu	CHK'D 審核 Kenny_shi	APP'D 核准 Chen	REV. AO	UNIT mm	SHEET 1/2
PART NUMBER 威納料號 A2541WR-SF-XXP		CUSTOMER P/N 客戶料號 -		DATE 日期 Apr.10,06'		GENERAL TOLERANCE 一般公差
DWG NO. 圖號 WP009-1310878-B		FILENAME 路徑 WP/009		SCALE 比例 N/A		<p>MM X.X = ±0.38 X.XX = ±0.25 X.XXX = ±0.05 UNLESS OTHERWISE SPECIFIED ANGULAR ±3°</p>