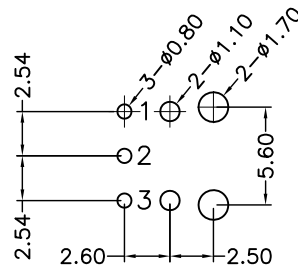
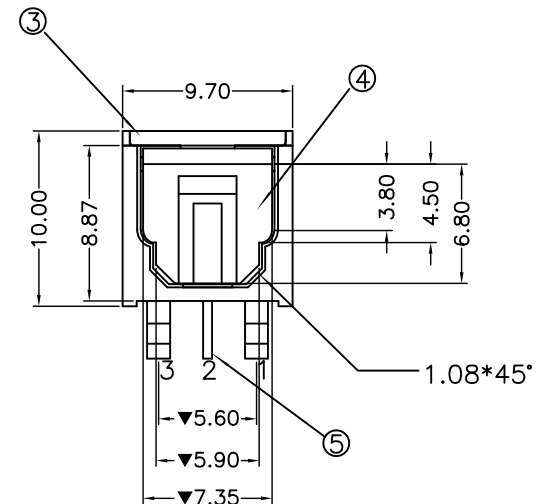
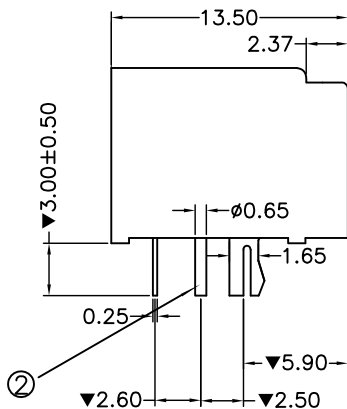
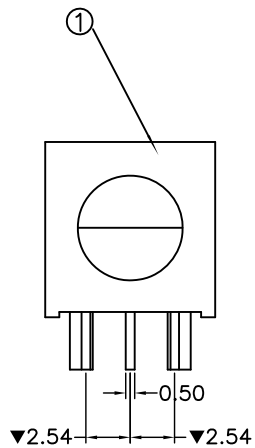


ENG.NO. W0204-1411020

Rev 版次	Revision note 變更內容	Date 日期	DR 制圖
A0	Original Release	Feb.27,13'	Huyk



Pin Function:
 1.GND
 2.Vcc
 3.Vin

PCB Layout Top View

- Finish:
- 1.Metal Post & Tx Unit Solder Tails:
 2.54um [100 u'']Min Matte Tin Plating
 1.27um[50u'']Min Nickel Underplated Overall
 - 2).Reconnended P.C.B Thickness:1.6mm
 - 3).Reflow Solder Capable To 260°C,
 Per Te SPCE.109-201, Condition B.
 - 4).”▼” Is Important Control Size.

RoHS COMPLIANT

ITEM	DESC	Q'TY
⑤	Pof Tx:Transmitter	1
④	Shutter:PA9T UL94 V-0	1
③	Spring:SUS 304	1
②	Fix Pin:Copper Clad Steel	2
①	Body:PA9T UL94V-0,Black	1

威納電子 WINPOINT ELECTRONIC CORP. www.winpoint.com.tw	Title 名稱 POF Conn,With Post and Fix Pin,Shutter type					
	DR: 制圖 Huyk	CHK'D 審核 Kenny_shi	APP'D 核准 Chen	REV. AO	UNIT mm	SHEET 1/1
PART NUMBER 威納料號 OF-R-11-B	CUSTOMER P/N 客戶料號 -	DATE 日期 Feb.27,13'	GENERAL TOLERANCE 一般公差 MM X.X = ±0.38 X.XX = ±0.25 X.XXX = ±0.05 UNLESS OTHERWISE SPECIFIED			
DWG NO. 圖號 WP009-1412250-B	FILENAME 路徑 WP/009	SCALE 比例 N/A	ANGULAR ±3°			