

ENG.NO.

W0011-1011121

B

C

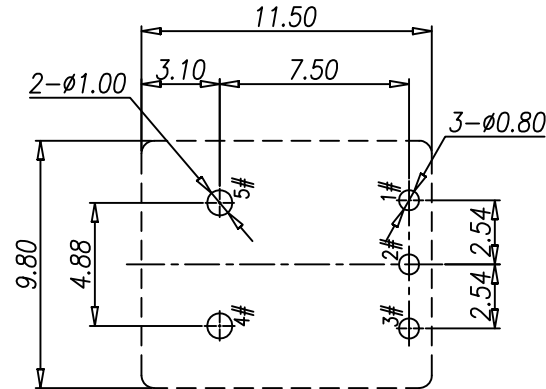
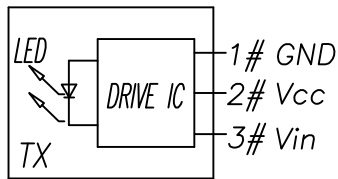
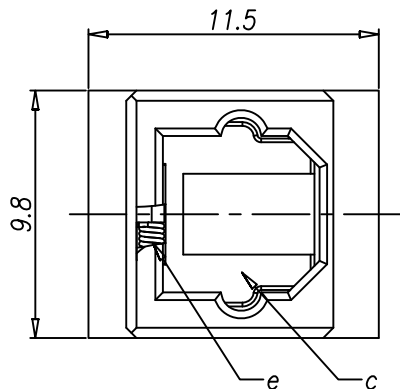
D

E

F

1 2 3 4 5 6 7 8

|        |                    |            |           |
|--------|--------------------|------------|-----------|
| Rev 版次 | Revision note 變更內容 | Date 日期    | DR 制圖     |
| A0     | Original Release   | Aug.12,09' | Kenny_shi |



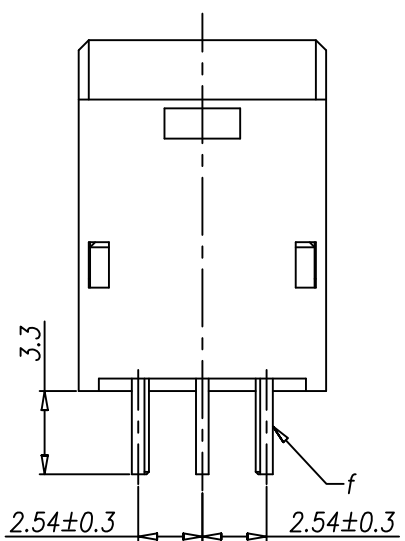
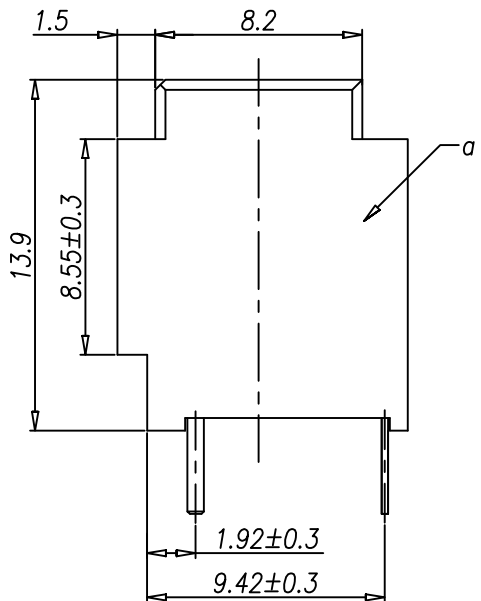
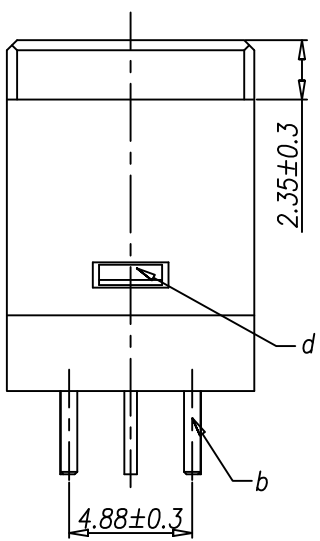
RECOMMEND PCB LAYOUT  
(TOP VIEW)(TOLERANCE:±0.05)

SPECIFICATION

1. Voltage Rating:  $V_{cc}=0.5\sim 7V$ ,  $V_{in}=-0.5\sim 7.5V$
2. Current Rating: 10mA
3. Insertion Force: 2.5Kgf Max.
4. Extraction Force: 0.5Kgf Min.
5. Life test: 1,500 cycles
6. Temperature Range:  $-20^{\circ}C\sim 70^{\circ}C$
7. Solder heat resistance: wave soldering  $260^{\circ}C$  5 seconds

RoHS COMPLIANT

|      |                                    |     |
|------|------------------------------------|-----|
| ①    | ODL: 16Mbps                        | 1   |
| ②    | SPRING: STEEL                      | 1   |
| ③    | FRAME: PBT UL 94V-0 BLACK          | 1   |
| ④    | GATE: PBT UL 94V-0 GRAY            | 1   |
| ⑤    | TERMINAL 4# 5#: BRASS CUSN PLATING | 2   |
| ⑥    | HOUSING: PBT UL 94V-0 BLACK        | 1   |
| ITEM | DESC                               | QTY |



A4

CUSTOMER DRAWING

THIS DRAWING CONTAINS INFORMATION THAT IS PROPRIETARY TO WINPOINT ELECTRONIC CORP. AND SHOULD NOT BE USED WITHOUT WRITTEN PERMISSION

|   |                                  |                       |  |         |                |           |
|---|----------------------------------|-----------------------|--|---------|----------------|-----------|
| <p>威納電子<br/>WINPOINT ELECTRONIC CORP.<br/>www.winpoint.com.tw</p> | Title 名稱 OPTICAL FIBER CONNECTOR |                       |  |         |                |           |
|   | DR: 制圖<br>Kenny_shi              | CHK'D 審核<br>Kenny_shi | APP'D 核准<br>Wang   | REV. AO | UNIT mm [INCH] | SHEET 1/1 |
| PART NUMBER 威納料號<br>OF-S-01-A                                     | CUSTOMER P/N 客戶料號<br>DC230001211 | DATE 日期<br>Aug.12,09' | GENERAL TOLERANCE 一般公差   |         |                |           |
| DWG NO. 圖號<br>WP004-1011779-B                                     | FILENAME 路徑<br>WP/004            | SCALE 比例<br>N/A       | ANGULAR ±3°<br><small>MM .XX = ±0.38<br/>X.XX = ±0.18<br/>X.XXX = ±0.05<br/>INCH .XX = ±0.015<br/>XXX = ±0.007<br/>XXXX = ±0.0020<br/>UNLESS OTHERWISE SPECIFIED</small> |         |                |           |