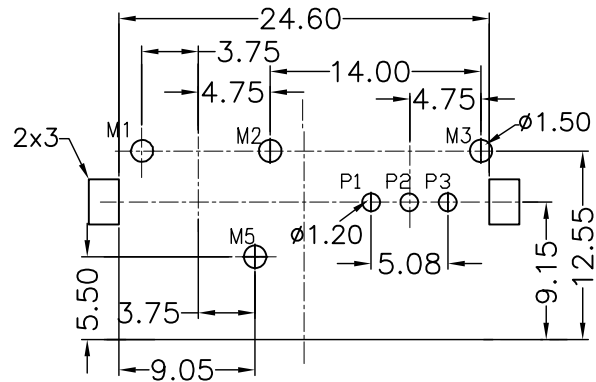
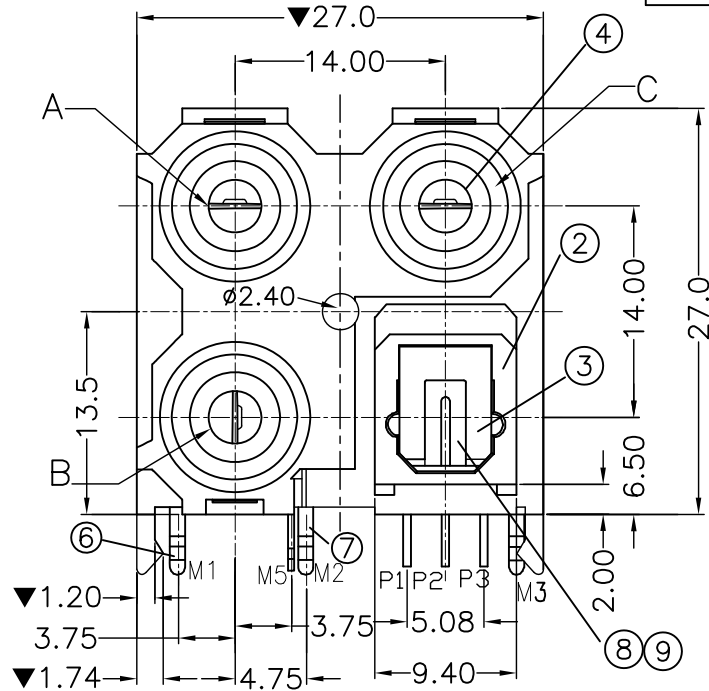
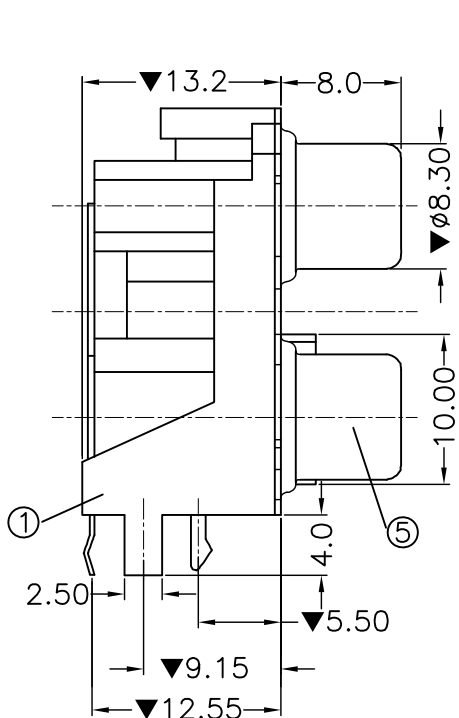
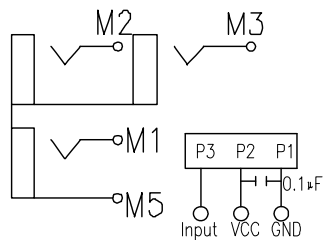


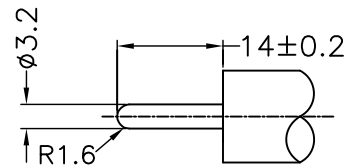
Rev版次	Revision note 變更內容	Date 日期	DR 制圖
A0	Original Release	May.08,13'	Fanny_qu
A1	Update the gate color	Aug.15,14'	Fanny_qu



DIMENSIONS OF PC BOARD HOLES(RECOMMEND)
TOP VIEW(T=1.6MM)



CIRCUIT DIAGRAM



GAUGE PLUG

PRODUCT INFORMATION:
RJF-22AH-XXX-11

WASHER COLOR(A,B,C)
R:RED, W:WHITE,
Y:YELLOW B:BLUE,
G:GREEN, K:BLACK

ITEM	DESC	Q'TY
⑨	FIBER OPTIC	1
⑧	SPRING:STAINLESS STEEL	1
⑦	CONTACT NEEDLE:BRASS TIN/NI PLATING	2
⑥	CONTACT NEEDLE:BRASS TIN/NI PLATING	1
⑤	COPPER SLEEVE: BRASS NI PLATED	1
④	WASHER:PBT UL94V-0	3
③	GATE:PBT UL94V-0 COLOR:ORANGE	1
②	HOUSING2:PBT UL94V-0 COLOR:BLACK	2
①	HOUSING1:PBT UL94V-0 COLOR:BLACK	1

RoHS COMPLIANT

威納電子 WINPOINT ELECTRONIC CORP. www.winpoint.com.tw		Title 名稱 3PORT RCA+FIBER OPTIC				
DR: 制圖 Fanny_qu	CHK'D 審核 Kenny_shi	APP'D 核准 Chen	REV. A1	UNIT mm	SHEET 1/1	
PART NUMBER 威納料號 RJF-22AH-XXX-11	CUSTOMER P/N 客戶料號 -	DATE 日期 Aug.15,14'	GENERAL TOLERANCE 一般公差 MM X.X = ±0.38 X.XX = ±0.25 X.XXX = ±0.05 UNLESS OTHERWISE SPECIFIED			
DWG NO. 圖號 WP009-1401930-B	FILENAME 路徑 WP/009	SCALE 比例 N/A	ANGULAR ±3°			