

ENG.NO. W0024-1206351

Rev 版次	Revision note 變更內容	Date 日期	DR 制圖
A0	Original Release	May,19,11'	Xieyincai

SPECIFICATIONS

1. INSULATION RESISTANCE: 100M OHM Min. AT 500V DC.
2. CONTACT RESISTANCE: 30m OHM Max. AT AC 100mA Max.1KHz.
3. DIELECTRIC WITHSTANDING : AC 500V AT 60Hz FOR 1 Minute
4. RATED VOLTAGE AND CURRENT: DC 12V, 2A Max, AC 100V, 1A Max.
5. ▼ IS KEY INSPECTION SIZE

MECHANICAL:

1. INSERTION FORCE: 0.3~3.0Kg.
2. EXTRACTION FORCE: 0.3~3.0Kg.
3. DURABILITY: 4000 CYCLES.

ORDER INFORMATION:

P/N: RJ-11CH-X-X

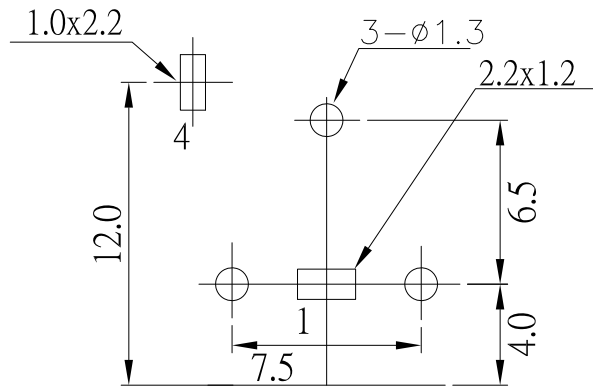
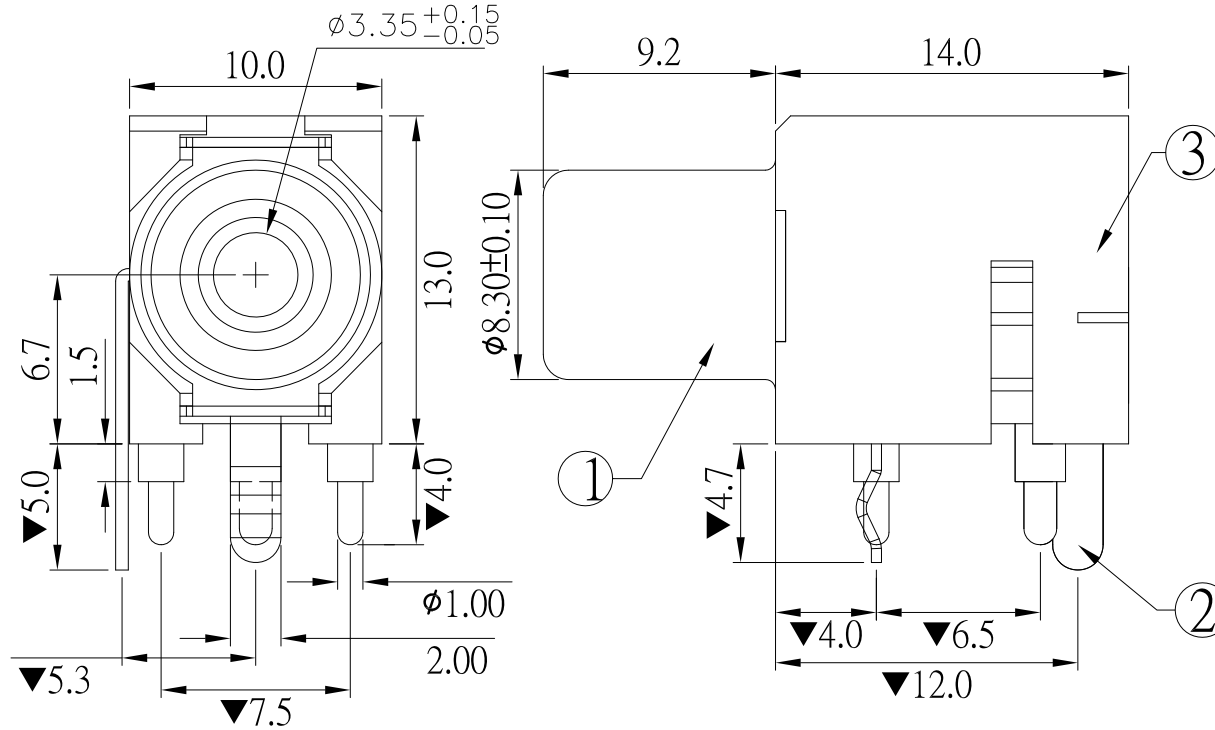
CENTER HOUSING COLOR NO OF CONTACTS

W: WHITE
O: ORANG
B: BLACK
R: RED

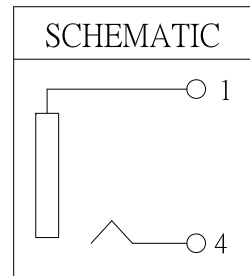
2: 2 PIN
3: 3 PIN
4: 4 PIN

RoHS COMPLIANT

③	BARREL: BRASS 0.40 NI/GOLD-PLATED	1
②	TERMINAL: BRASS 0.50 TIN-PLATED	1
①	HOUSING: PBT UL94V-0	1
ITEM	DESC	Q'TY



PCB EDGE
(COMPONENT SIDE)
PCB LAYOUT



 威納電子 WINPOINT ELECTRONIC CORP. www.winpoint.com.tw	Title 名稱 RCA JACK					
	DR: 制圖 Xieyincai	CHK'D 審核 Kenny_shi	APP'D 核准 Wang	REV. AO	UNIT mm [INCH]	SHEET 1/1
PART NUMBER 威納料號 RJ-11CH-O-2	CUSTOMER P/N 客戶料號 -	DATE 日期 May,19,11'	GENERAL TOLERANCE 一般公差			
DWG NO. 圖號 WP004-1206487-B	FILENAME 路徑 WP/004	SCALE 比例 1:1	 ANGULAR ±3°			
<small> MM .XX = ±0.38 X.XX = ±0.18 X.XXX = ±0.05 INCH .XX = ±0.015 .XXX = ±0.007 .XXXX = ±0.0020 UNLESS OTHERWISE SPECIFIED </small>						

A4

CUSTOMER DRAWING