

ENG.NO. XXXX

B

C

A

D

E

F

A

B

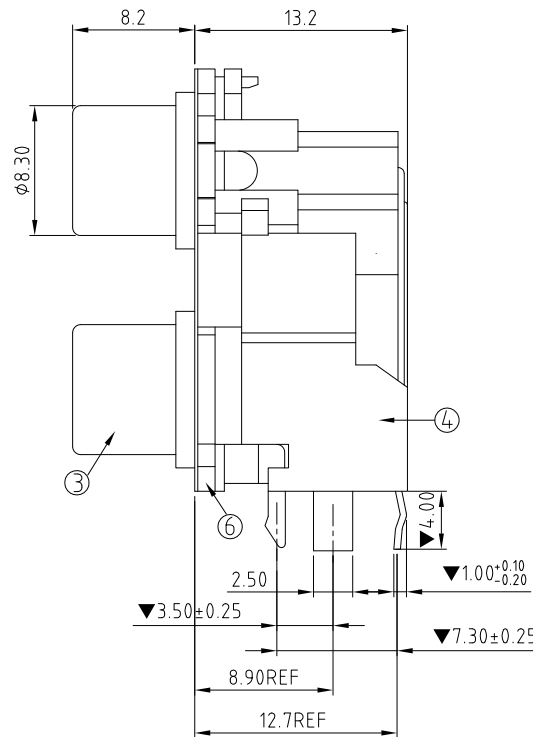
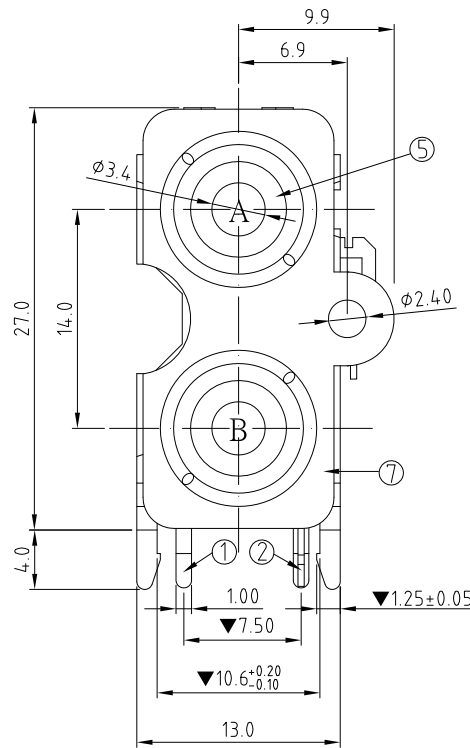
C

D

E

F

Rev 版次	Revision note 變更內容	Date 日期	DR 制圖
A0	Original Release	Jun.17,10'	Xuzhihua
A1	Change the structure of the screw holes	Jun.11,12'	Kenny_shi

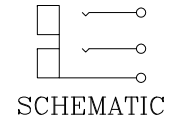
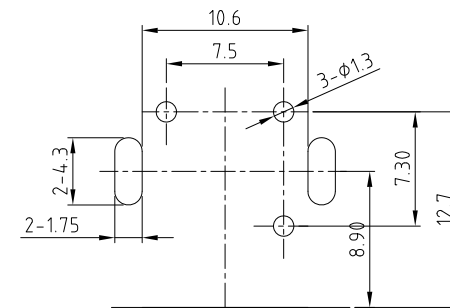


PRODUCT INFORMATION:

RJ-12AH-XX-11

A: Upper washer color  
B: Lower washer color

W: WHITE  
Y: YELLOW  
R: RED  
G: GREEN  
K: BLACK  
B: BLUE



規格要求:

- 額定電壓與電流: 12V & 1A.
- 接觸阻抗: 30mΩ Max.
- 絕緣阻抗: 100MMΩ Min. DC 500V.
- 耐電壓: 500V/AC FOR 1 MINUTE.
- 插入力: 40N Max.
- 拔出力: 3N ~ 40N.
- 端子強度: THE TERMINAL SHALL BE CAPABLE OF WITHSTANDING A FORCE OF SECONDS WITHOUT LOSSING AND BREAKDOWN.
- 壽命測試: 10000 CYCLES.
- 使用溫度: -40°C~+85°C.
- 焊錫耐熱性: WAVE SOLDER 260° 5 SECOND.
- "▼"符號表品管檢驗尺寸

RoHS COMPLIANT

ITEM	DESC	Q'TY
⑦	METAL PLATE: BRASS, Ni PLATING	1
⑥	FRONT COVER PLATE: PBT UL94V-0, BLACK	1
⑤	WASHER: PBT UL94V-0, SEE PRODUCT P/N	2
④	HOUSING: PBT UL 94V-0, BLACK	1
③	COPPER TUBE: BRASS, Ni PLATING	1
②	TERMINAL: BRASS, Tin PLATING	1
①	TERMINAL: BRASS, Tin PLATING	2

<p>威納電子 WINPOINT ELECTRONIC CORP. www.winpoint.com.tw</p>		<p>Title 名稱 PIN JACK 2 x 1 STACKED, VERT, DIP</p>	
DR: 制圖 Xuzhihua	CHK'D 審核 Kenny_shi	APP'D 核准 Wang	REV. A1
PART NUMBER 威納料號 RJ-12AH-XX-11	CUSTOMER P/N 客戶料號 -	DATE 日期 Jun.11,12'	GENERAL TOLERANCE 一般公差
DWG NO. 圖號 WP002-1006022-00	FILENAME 路徑 WP/002	SCALE 比例 N/A	<p>MM .XX = ±0.30 .XXX = ±0.15 X.XXX = ±0.05 .XXX = ±0.015 .XXX = ±0.005 .XXXX = ±0.0020 UNLESS OTHERWISE SPECIFIED</p>